

Materials :

Insulator: LCP+30% G.F UL 94V-0

Contacts: Phosphor Bronze

Shell: Phosphor Bronze

Shell Plating: 100μ" Tin over 80μ" Ni

Ordering Code:

CU04 S C H 1 5 B 0  
① ② ③ ④ ⑤ ⑥ ⑦ ⑧

① Series No.

② S= Socket

③ Plating option:

C= Selective 0.76μm (30μ") Gold plated over 1.27μm(50μ") Nickel

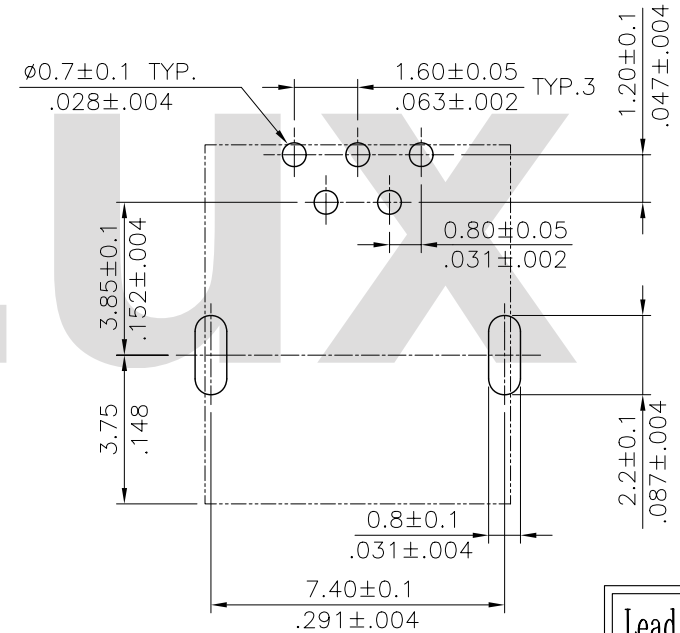
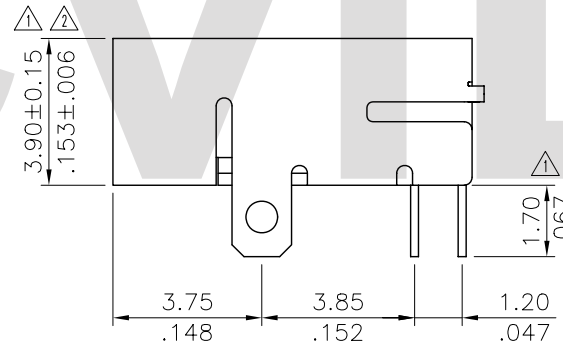
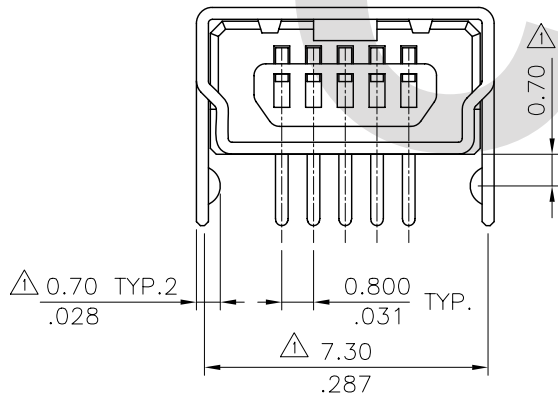
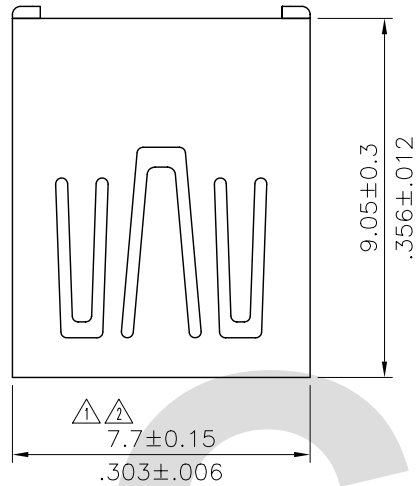
④ Tail style: H= Right Angle DIP Type

⑤ Insulator Color: 1= Black

⑥ No of Circuits: 5= 5 Pin

⑦ Type: B= Mini USB 5 Pin Type-B

⑧ Option: 0= Standard



Recommended P.C. Board Layout

Lead Free Process

RoHS Compliant

④						DATE	UNIT: mm / inch	TITLE: MINI USB 5 PIN DIP TYPE BOARD MOUNT CONNECTOR	 瀚荃股份有限公司 CviLux Corporation
③			DRAWN BY: Sun		6/10-05'	TOLERANCE UNLESS OTHERWISE SPECIFIED	MATERIAL:	DRAWING NO. CU0403SG PART NO. CU04SCH15B0	
②	SUN	6/10/05'	ECN05210		ENGINEER: Eisley	6/13-05'	.X ± 0.30/.012 X' ± 1'	FINISH:	
①	SUN	3/05/04'	ECR04026-0/ECN04091		CHECKED BY: David	6/13-05'	.XX ± 0.20/.008 X' ±		
SYM	NAME	DATE	REVISIONS		APPROVED BY: Alex	6/13-05'	.XXX ± 0.10/.004 XX' ±		