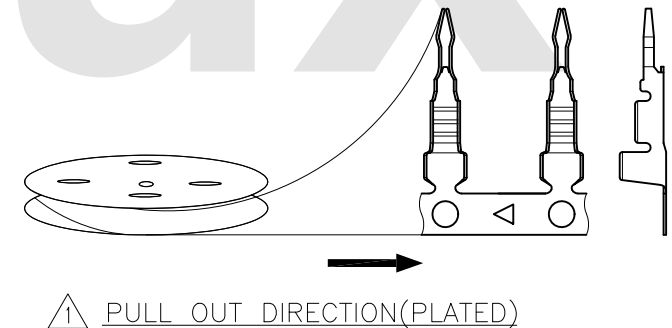
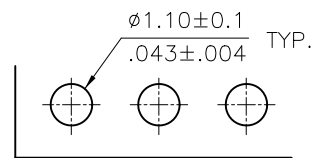
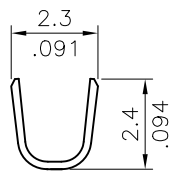
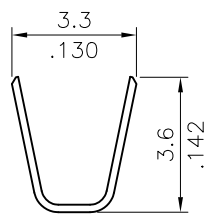


Wire Range	Insulation Diameter	Reel Q'ty
AWG #18~#22	2.10 (.087) MAX.	5,000 PCS.

Ordering Code:

CT08 T03 1 P E 0
 ① ② ③ ④ ⑤ ⑥

- ① Series No.
- ② Type: T03= For AWG #18~#22
- ③ Plating: 1= 2.03 μ m(80 μ "") Min. Tin over 0.76 μ m(30 μ "") Nickel
- ④ Material: P= Phosphor Bronze
- ⑤ Plating method: E= Pre-tinned
- ⑥ Option: 0= Standard



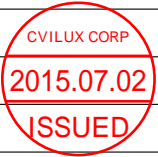
SEC.: A-A

SEC.: B-B

Recommended P.C. Board Layout

RoHS Compliant

SYM	NAME	DATE	REVISIONS	APPROVED BY:	DATE	UNIT: mm / inch	TOLERANCE UNLESS OTHERWISE SPECIFIED	FINISH:	TITLE:	DRAWING NO.	PART NO.	SHEET	OF	1
4									BOARD IN TERMINAL					
3														
2														
1	Karen	6/13-15'	ECNT115140/ECRT115017	Eisley	6/23-15'		.X \pm 0.20/.008 X' \pm 1'							
				Eisley	6/23-15'		.XX \pm 0.10/.004 X' \pm							
				Eisley	6/23-15'		.XXX \pm 0.05/.002 XX' \pm							



DRAWING NO.	CT0802SB	PART NO.	CT08T031PE0
SCALE	5 / 1	SHEET	1 OF 1