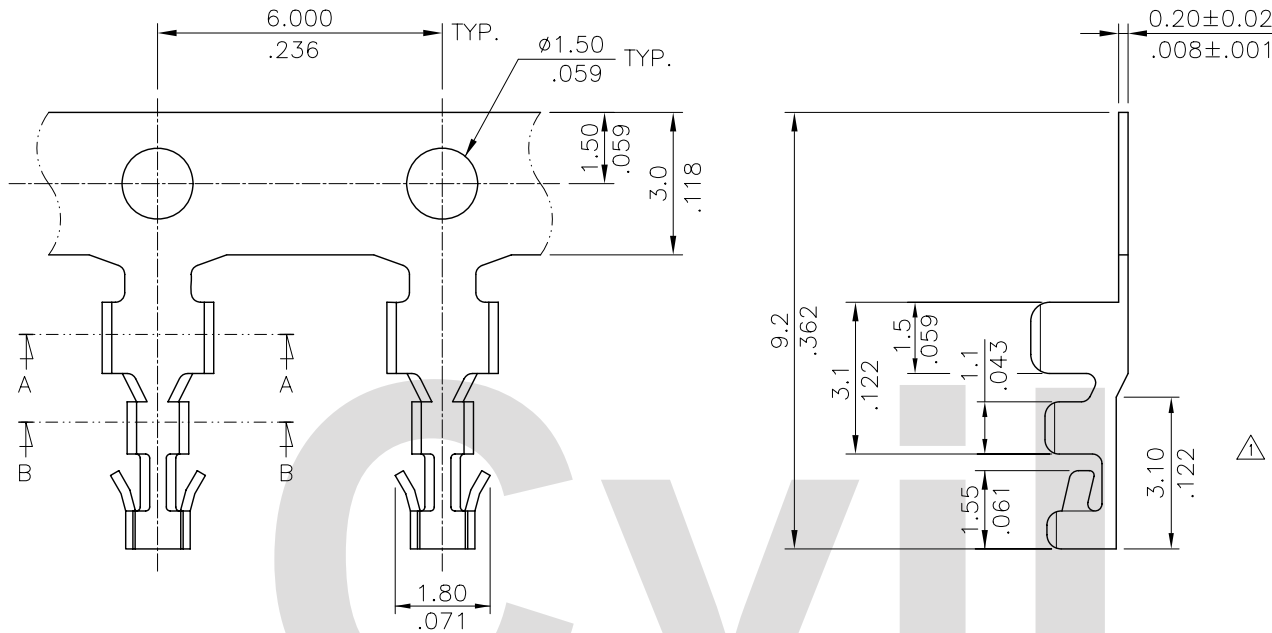


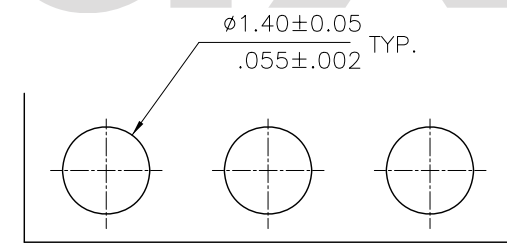
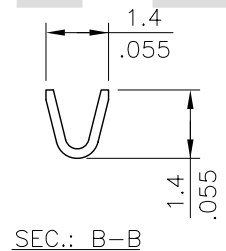
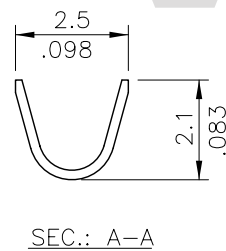
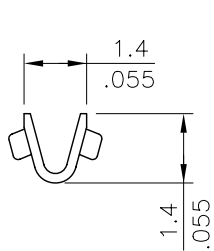
Wire Range	Insulation Diameter	Reel Q'ty
AWG #24~#28	1.45 MAX (.057)	12,000 PCS



Ordering Code:

CT01 T 02 1 P P 0  
① ② ③ ④ ⑤ ⑥ ⑦

- ① Series No.
- ② T= Terminal
- ③ Type:Crimping style- 02 for AWG#24~#28
- △ ④ Plating Code:  
1= 2.54μm(100μ") Min. Tin over 0.76μm(30μ") Nickel  
M= 2.54μm(100μ") Min. Matte Tin over 0.76μm(30μ") Nickel
- ⑤ Material: P= Phosphor Bronze
- ⑥ Plating method: P= Post plating
- ⑦ Other option: 0= Standard



Recommended P.C. Board Layout

④					DATE	UNIT: mm / inch	TITLE:	瀚荃股份有限公司 CviLux Corporation
③					DRAWN BY: Karen	TOLERANCE UNLESS OTHERWISE SPECIFIED	BOARD IN TERMINAL	
②					ENGINEER: Eisley	.X ± 0.20/.008 X*: ± 1'	MATERIAL:	
①	Karen	10/16-08'	ECN08527		CHECKED BY: David	.XX ± 0.10/.004 X*: ±	FINISH:	
SYM	NAME	DATE	REVISIONS	APPROVED BY: Alex	10/17-08'	.XXX ± 0.05/.002 .XX* ±		DRAWING NO. CT0101SE SCALE 6 / 1 PART NO. CT01T02*PP0 SHEET 1 OF 1

CVILUX.XORP  
 2008.10.28  
 ISSUED