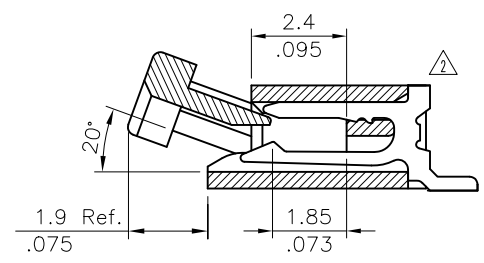


A = 1.00 * No. of Spaces
 B = A + 8.0
 C = A + 2.1
 * Available in 4 through 32 circuits

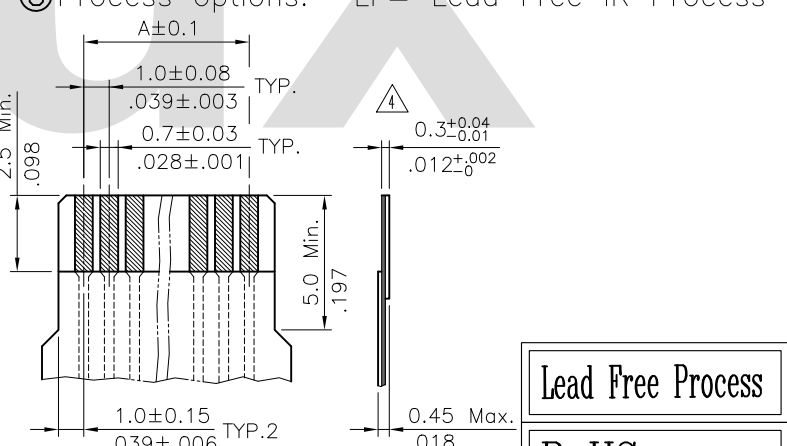
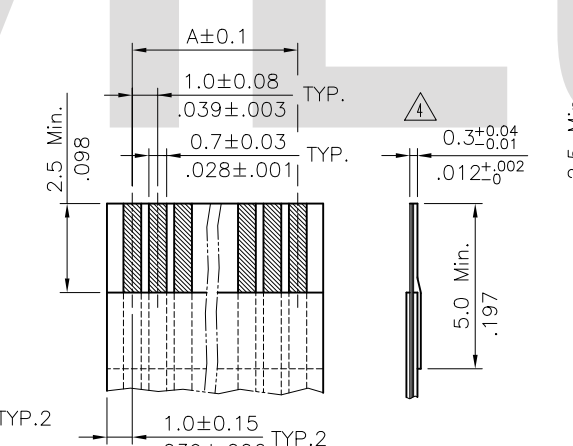
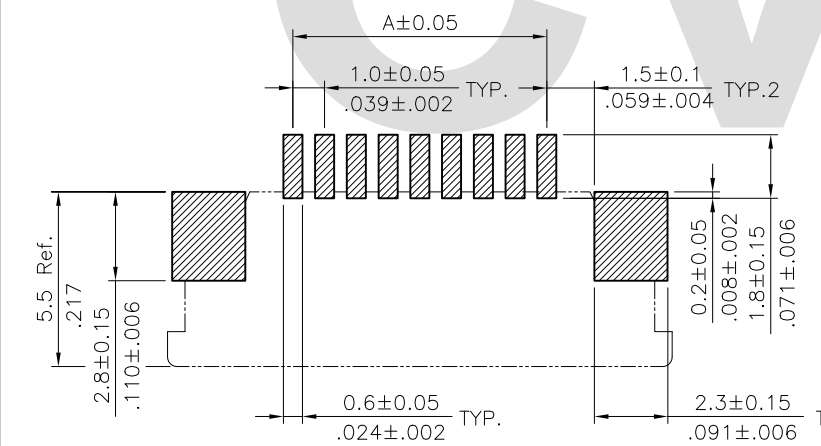
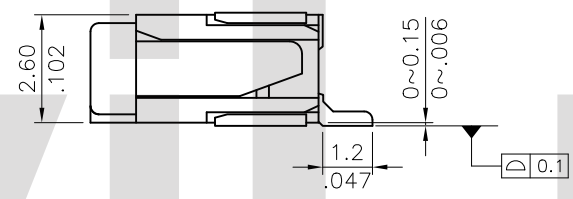
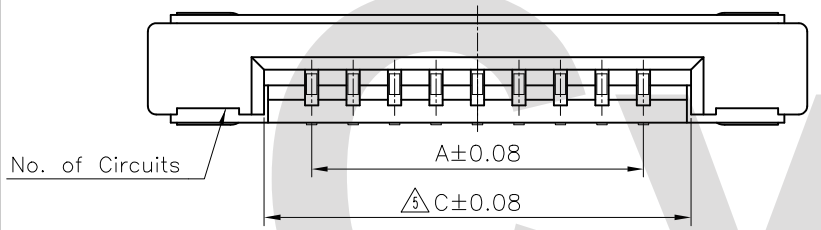


Material :
 * Body : High Temperature plastic UL 94V-0
 * Slider : High Temperature plastic UL 94V-0
 Color Black
 * Contact : Copper Alloy
 * Fixed tab : Copper Alloy with Matte Tin plated

Ordering Code

CF07 ** * D 0 * 0 -LF
 ① ② ③ ④ ⑤ ⑥ ⑦ ⑧

- ① Series No.
- ② No. of Circuits
- ③ Plating code:
 1 = Matte Tin plated over Nickel
 2 = Gold flash plated over 50μ"min. Nickel
- ④ Contact style: D = Downside Contact
- ⑤ Color: 0 = Nature
- ⑥ Packing options: R = Tape & Reel
 T = Tube Packing
- ⑦ Other options: 0 = Standard
- ⑧ Process options: -LF = Lead Free IR Process



Sold Pad Pattern

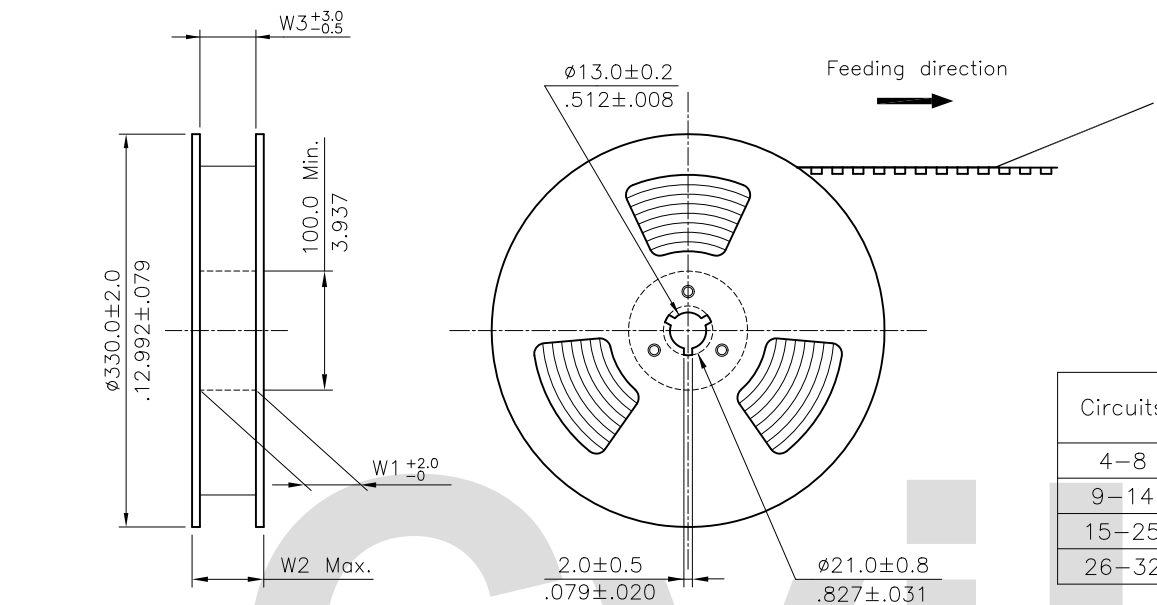
Accommodated FFC

Accommodated FPC

Lead Free Process
 RoHS Compliant

⑧	Enya	10/18-13'	ECNT113069	DATE	UNIT: mm / inch	TITLE: 1.00mm(.039") ZIF FPC/FFC DOWNSIDE CONTACT SURFACE MOUNT CONNECTOR	MATERIAL:	FINISH:	DRAWING NO. CF0721SI	PART NO. CF07***D0*0-LF	SCALE 5 / 1	SHEET 1 OF 2	
⑦	Sandy	7/22-09'	ECN09376	DRAWN BY: Enya	10/18-13'								TOLERANCE UNLESS OTHERWISE SPECIFIED
⑥	Sun	9/10-08'	ECR08047-2/ECN08398	ENGINEER: Sun	10/22-13'								.X ± 0.15/006 X' ± 1'
⑤	Sun	5/13-08'	ECN08211	CHECKED BY: Eisley	10/24-13'								.XX ± 0.10/004 X' ±
SYM	NAME	DATE	REVISIONS	APPROVED BY: Eisley	10/24-13'	.XXX ± 0.05/002 XX' ±							

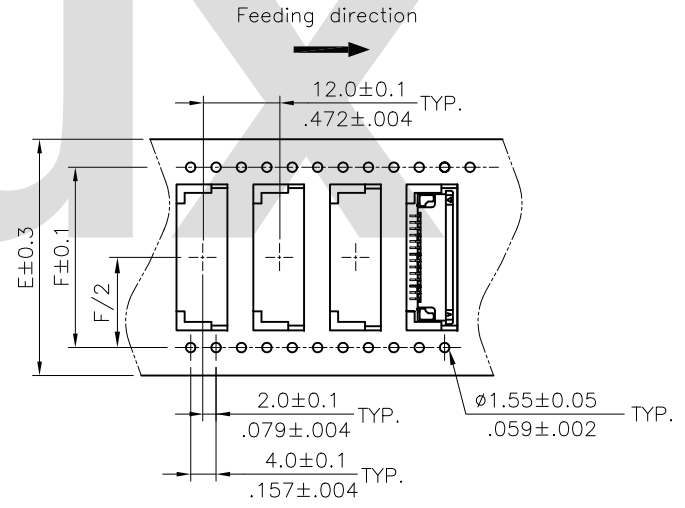
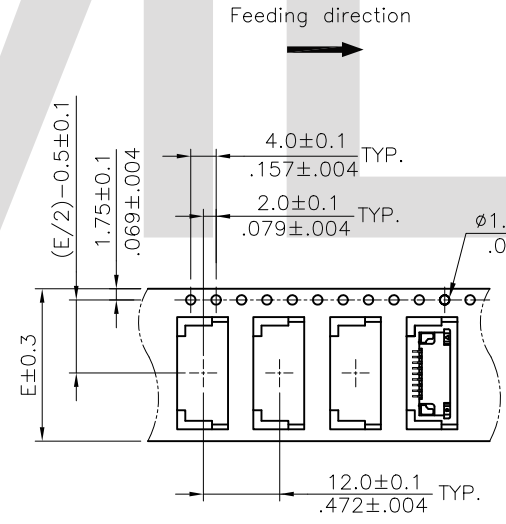
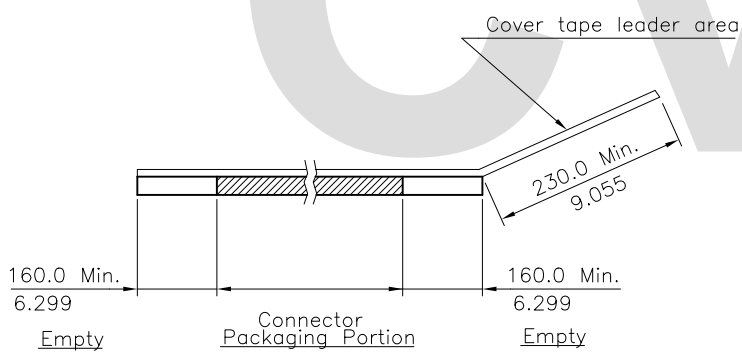




NOTE :

1. 10 sprocket hole pitch cumulative tolerance ±0.20
2. Carrier camber is within 1 mm in 100 mm .
- △ 3. Material : Transparent Conductive Polystyrene Alloy (UP-5000) 100% recyclable.
4. All dimensions meet EIA-481-3 requirements.
5. Thickness : 0.33±0.03mm.
- 6 Packing length per 22" reel : 75.0 Meters.
7. Component load per 13" reel : 2000 pcs.

Circuits	Dimension				
	E	F	W1	W2	W3
4-8	24.0(.945)	-	24.5(.965)	30.5(1.201)	24.5(.965)
9-14	32.0(1.260)	28.40(1.118)	32.5(1.280)	38.5(1.516)	32.5(1.280)
15-25	44.0(1.732)	40.40(1.596)	44.5(1.752)	50.5(1.988)	44.5(1.752)
26-32	56.0(2.205)	52.40(2.062)	56.5(2.224)	62.5(2.460)	56.5(2.224)



△ 8 WIDTH : 24 mm Carrier

WIDTH : 32,44,56 mm Carrier

RoHS Compliant

△ 8	Enya	10/18-13'	ECNT113069		DATE	UNIT: mm / inch	TITLE: 1.00mm(.039") ZIF FPC/FFC DOWNSIDE CONTACT SURFACE MOUNT CONNECTOR	瀚荃股份有限公司 CviLux Corporation	
△ 7	Sandy	7/22-09'	ECN09376	DRAWN BY:	Enya	10/18-13'			TOLERANCE UNLESS OTHERWISE SPECIFIED
△ 6	Sun	9/10-08'	ECR08047-2/ECN08398	ENGINEER:	Sun	10/22-13'	MATERIAL:	DRAWING NO. CF0721SI PART NO. CF07***D0*0-LF	
△ 5	Sun	5/13-08'	ECN08211	CHECKED BY:	Eisley	10/24-13'			FINISH:
SYM	NAME	DATE	REVISIONS	APPROVED BY:	Eisley	10/24-13'		SCALE	SHEET 2 OF 2

CVILUX CORP
 2013.11.07
 ISSUED