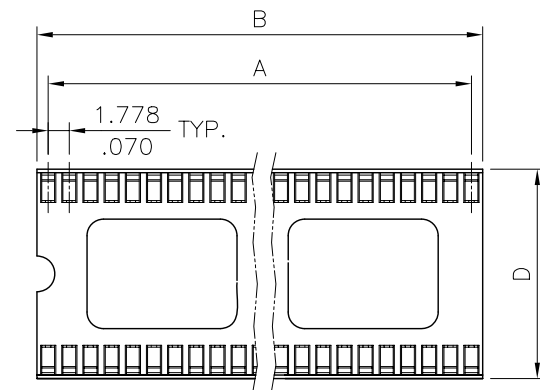
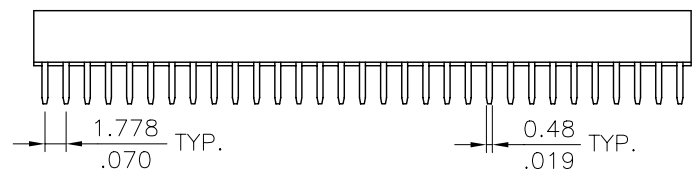
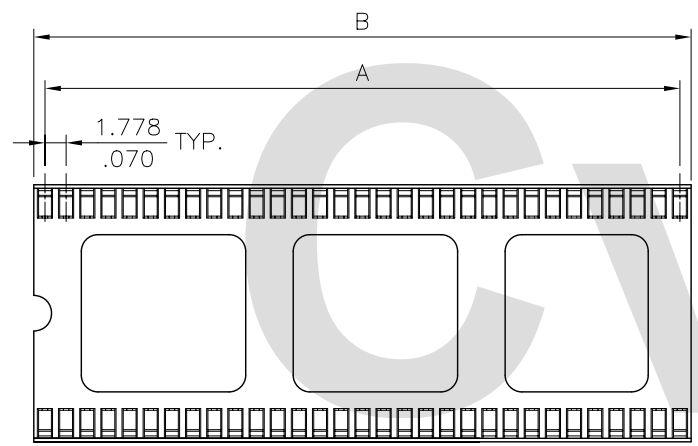


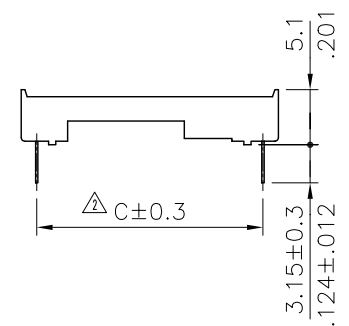
△ Typical 16,20,22 Circuits



△ Typical 24,30,32,40,42,52,56 Circuits

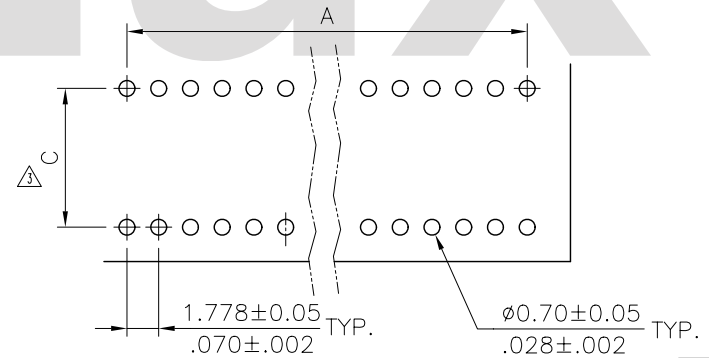


Typical 64 Circuits




Materials:
 * Insulator: Glass filled Polyester UL 94V-0
 Color Black
 * Contact: Phosphor Bronze

Circuits	Dimension			
	A	B	C	D
16	12.45(.490)	14.22(.560)	7.62(.300)	10.1(.398)
20	16.00(.630)	17.78(.700)	7.62(.300)	10.1(.398)
22	17.78(.700)	19.55(.770)	7.62(.300)	10.1(.398)
24	19.56(.770)	21.33(.840)	10.16(.400)	12.6(.496)
30	24.89(.980)	26.67(1.050)	10.16(.400)	12.6(.496)
32	26.67(1.050)	28.45(1.120)	10.16(.400)	12.6(.496)
40	33.78(1.330)	35.56(1.400)	15.24(.600)	17.72(.698)
42	35.56(1.400)	37.34(1.470)	15.24(.600)	17.72(.698)
48	40.89(1.610)	42.67(1.680)	15.24(.600)	17.72(.698)
52	44.45(1.750)	46.22(1.820)	15.24(.600)	17.72(.698)
56	48.01(1.890)	49.78(1.960)	15.24(.600)	17.72(.698)
64	55.12(2.170)	56.90(2.240)	19.05(.750)	21.5(.846)



Recommended PC Board Layout

RoHS Compliant

SYM	NAME	DATE	REVISIONS	APPROVED BY:	DATE	UNIT: mm / inch	TITLE: .070"(1.778mm) H.D. DIP IC SOCKET	 瀚荃股份有限公司 CviLux Corporation	DRAWING NO.	PART NO.	SHEET	OF	
4	Sun	9/30/05'	ECR05067-0/ECN05275			mm / inch				CS0401SL		1	OF
3	SUN	7/20/05'	ECN05248	DRAWN BY: Jim	5/23/06'	TOLERANCE UNLESS OTHERWISE SPECIFIED							
2	SUN	5/13/05'	ECR05045-0/ECN05170	ENGINEER: Eisley	5/23/06'	.X ± 0.30/.012	X' ± 1'						
5	Jim	5/20/06'	ECR06040-0/ECN06158	CHECKED BY: David	5/24/06'	.XX ± 0.20/.008	.X' ±						
				APPROVED BY: Alex	5/24/06'	.XXX ± 0.08/.003	.XX' ±						

2006.05.24
ISSUED