

Material:

\* Insulation: Glass filled polyester UL 94V-0

⚠ \* Contact: Brass

## Ordering Code

CS02    \*\*    \*    0000  
 ①    ②    ③    ④

① Series No.

② No. of Poles : 2 to 15

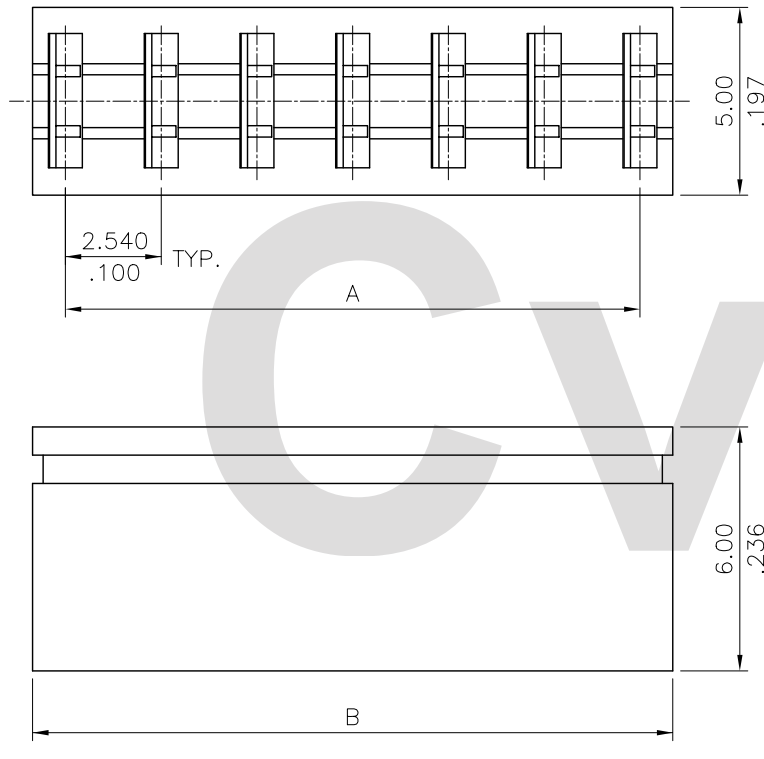
③ Plating Code :

2= Gold flash plated over  
 1.27μm(50μ") Nickel

3= 0.38μm(15μ") Gold plated  
 over 1.27μm(50μ") Nickel

4= 0.76μm(30μ") Gold plated  
 over 1.27μm(50μ") Nickel

④ Option : 0000= Color Black(Standard)



Poles	Dimension	
	A	B
2	2.54(.100)	4.78(.188)
3	5.08(.200)	7.32(.288)
4	7.62(.300)	9.86(.388)
5	10.16(.400)	12.40(.488)
6	12.70(.500)	14.94(.588)
7	15.24(.600)	17.48(.688)
8	17.78(.700)	20.02(.788)
9	20.32(.800)	22.56(.888)
10	22.86(.900)	25.10(.988)
11	25.40(1.000)	27.64(1.088)
12	27.94(1.100)	30.18(1.188)
13	30.48(1.200)	32.72(1.288)
14	33.02(1.300)	35.26(1.388)
15	35.56(1.400)	37.80(1.488)

RoHS Compliant

④				CVILUX CORP. 2007.01.17 ISSUED		DATE	UNIT: mm / inch	TITLE:	瀚荃股份有限公司 CviLux Corporation
③					DRAWN BY:	Jim	1/8 07'	TOLERANCE UNLESS OTHERWISE SPECIFIED	
②	Jim	1/8 07'	ECN07018	ENGINEER:	Eisley	1/12 07'	.X ± 0.30/.012    .X' ± 1"	MATERIAL:	DRAWING NO. CS0201SB
①	Jim	8/25 06'	ECR06065-0/ECN06263	CHECKED BY:	David	1/12 07'	.XX ± 0.20/.008    .X' ±	FINISH:	PART NO. CS02***0000
SYM	NAME	DATE	REVISIONS	APPROVED BY:	Alex	1/12 07'	.XXX ± 0.10/.004    .XX' ±	SCALE	SHEET 1 OF 1