

No.	DESCRIPTION	MATERIAL	FINISH	Q'TY
1	BODY	BRASS	GOLD PLATED	1
2	INSULATOR	TEFLON	—	1
3	LINK LUCK	BECU	GOLD PLATED	1
4	CONTACT	BRASS	GOLD PLATED	1
5	FERRULE	BRASS	GOLD PLATED	1

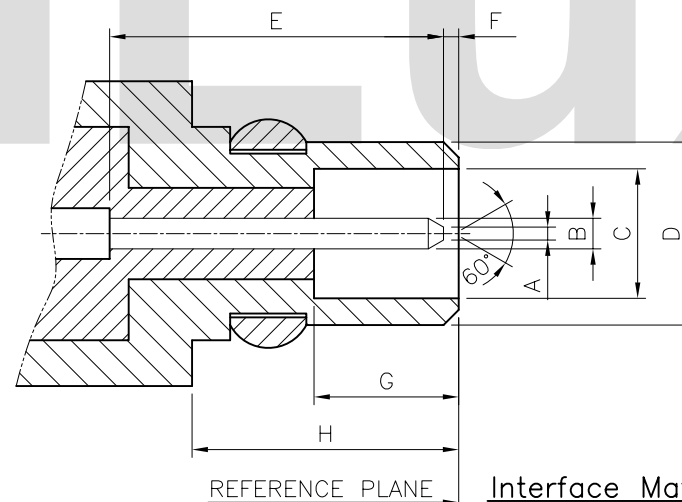
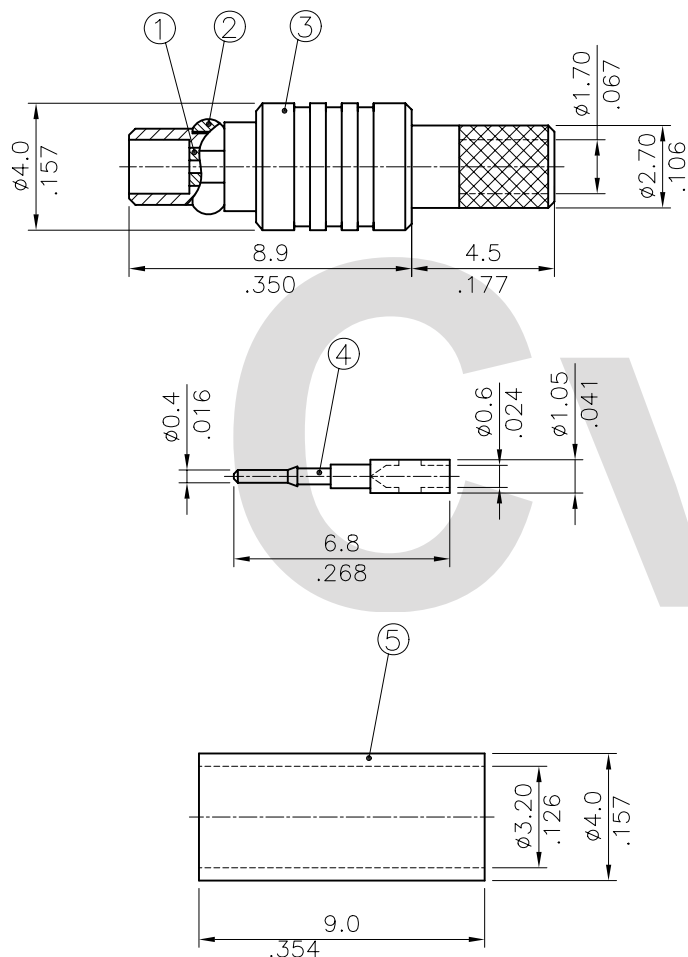
Specifications:

Electrical

Impedance: 50Ω
 Frequency Range: 0–6 GHz
 Working Voltage: 170 VRMS Max.
 Dielectric Withstanding Voltage: 500 VRMS Min.
 VSWR: 1.3 Max.
 Contact Resistance
 Center contact: 5mΩ Max.
 Outer Contact: 2.5mΩ Max.
 Insulator Resistance
 1000MΩ Min.

Mechanical & Environmental

Engagement Force: 3.4 lbs. Max.
 Disengagement Force: 1.4–3.4 lbs.
 Contact Retention: 2.3 lbs. Min.
 Durability (Mating): 500 cycles Min.
 Temperature Range: -65°C to 155°C
 Vibration: 3 cycles, 3 opposite directions, 10–150 Hz
 10–60 Hz: 0.75mm/0.030 in., 60–150 Hz 10G's
 Thermal Shock: MIL-STD-202 Method 107
 Humidity: MIL-STD-202 Method 103 Test Cond.B
 Mechanical Shock: MIL-STD-202 Method 213 Test Cond.B



DIM.	Min.	Max.
A	—	0.20(.008)
B	0.38(.015)	0.42(.017)
C	1.58(.062)	1.62(.064)
D	—	2.40(.094)
E	—	3.15(.124)
F	0.00	0.25(.010)
G	1.45(.057)	—
H	2.70(.106)	—

REFERENCE PLANE Interface Mating Dimensions

RoHS Compliant

SYM	NAME	DATE	REVISIONS	APPROVED BY:	DATE	UNIT:	TITLE:	DRAWING NO.	PART NO.	SCALE	SHEET	OF	1
4					DATE	mm / inch	MMCX SERIES STRAIGHT						
3				Sun	3/13-08'	UNLESS OTHERWISE SPECIFIED	CABLE CRIMP TYPE PLUG CONN.						
2				Eisley	3/13-08'	X. ±0.50/.020							
1				David	3/14-08'	X. ±0.30/.012							
				Alex	3/14-08'	.XX ±0.15/.006							

CVILUX.CORP
 2008.03.14
 ISSUED

瀚荃股份有限公司
 CviLux Corporation

DRAWING NO. CR0407SA PART NO. CR04P01225000
 SCALE 4 / 1 SHEET 1 OF 1