

Material :

- * Body : High temperature plastic
UL 94V-0 Color Nature
- * Contact : Copper alloy
- * Fixed tab : Copper alloy with
Matte Tin plated

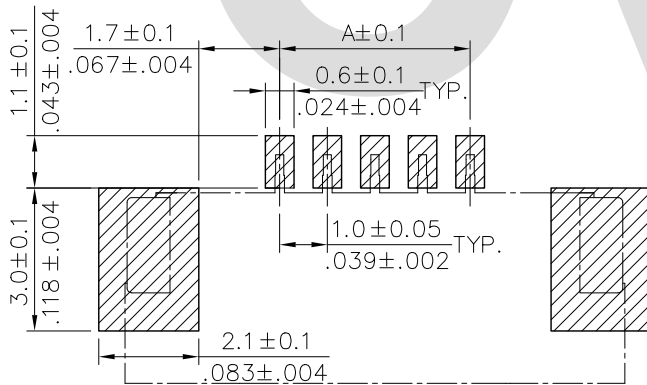
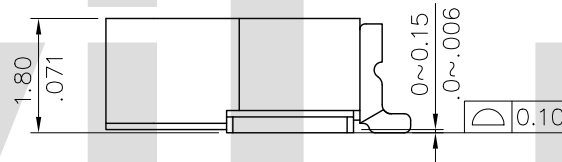
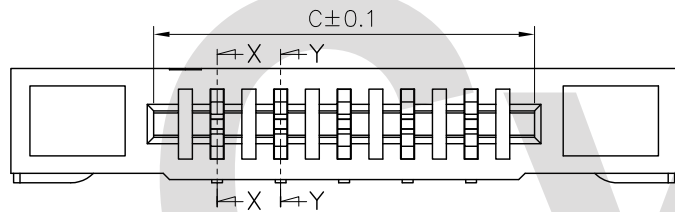
A = 1.0 * No. of Spaces
B = A + 5.6
C = A + 2.1

* Available in 4 through 15 circuits

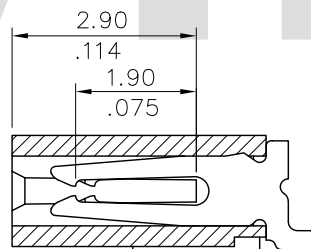
Ordering Code

CF06 ** 1 H 0 *A -NH
① ② ③ ④ ⑤ ⑥ ⑦

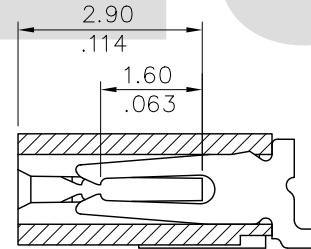
- Series No.
- No. of Circuits
- Plating code:
1= 3.05um(120u") Min. Matte Tin
on Contact area and Solder tails,
1.27um(50u") Nickel Underplating
over all
- Contact style: H= Side entry
- Color: 0= Nature
- Other option: RA= Tape & Reel
- Other option: TA= Tube Packing
NH= For Lead Free IR Processes
and Halogen-Free



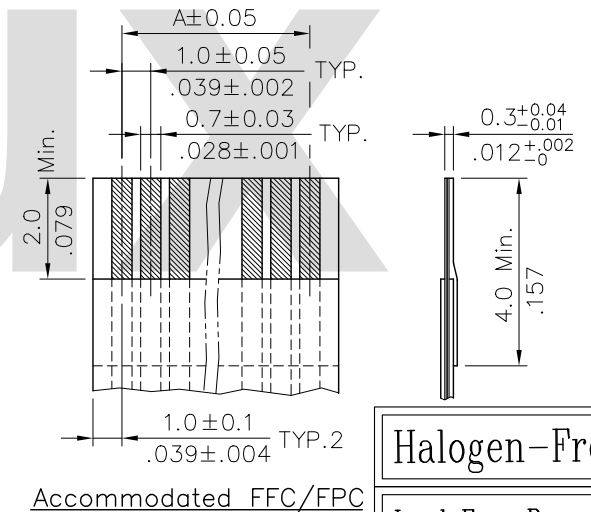
Sold Pad Pattern



SEC.: X-X



SEC.: Y-Y



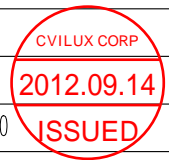
Accommodated FFC/FPC

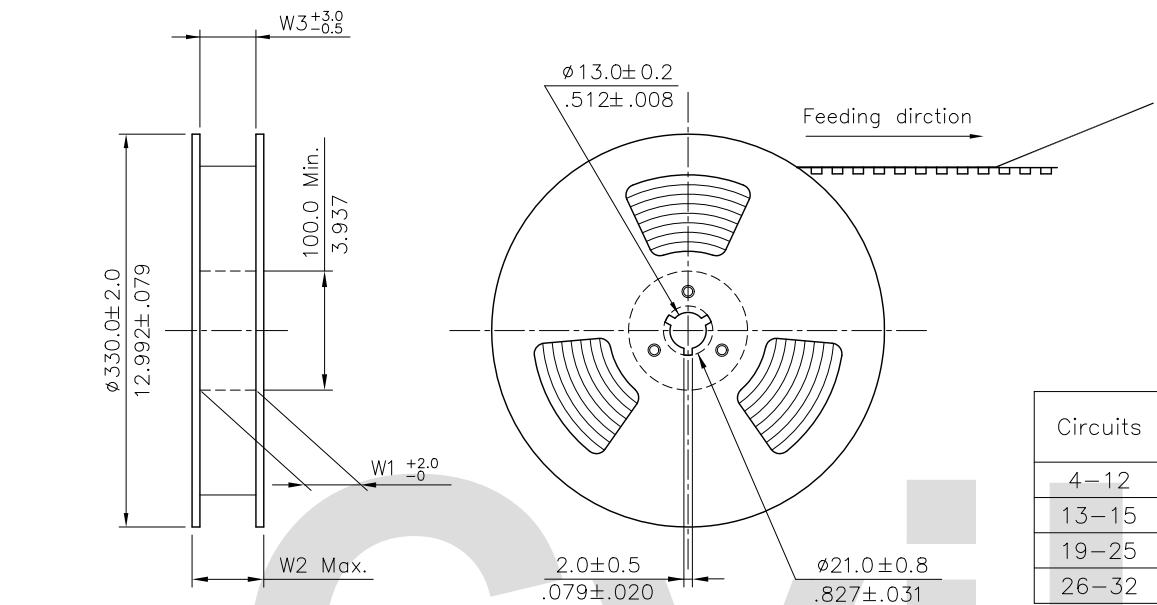
Halogen-Free

Lead Free Process

RoHS Compliant

④					DATE	UNIT: mm / inch	TITLE:	瀚荃股份有限公司 CviLux Corporation
③					8/30-12'	TOLERANCE UNLESS OTHERWISE SPECIFIED	1.00mm(.039") LIF FPC/FFC SURFACE MOUNT CONNECTOR	
②					9/03-12'	.X ± 0.15/.006 X' ± '1	MATERIAL:	
①	Enya	8/30-12'	ECR12043-2/ECN12209-0		9/03-12'	.XX ± 0.10/.004 X' ±	FINISH:	
SYM	NAME	DATE	REVISIONS		APPROVED BY:	.XXX ± 0.05/.002 X' ±		DRAWING NO. CF0602SB
					David			PART NO. CF06**1H0*A-NH
								SCALE 8 / 1
								SHEET 1 OF 2

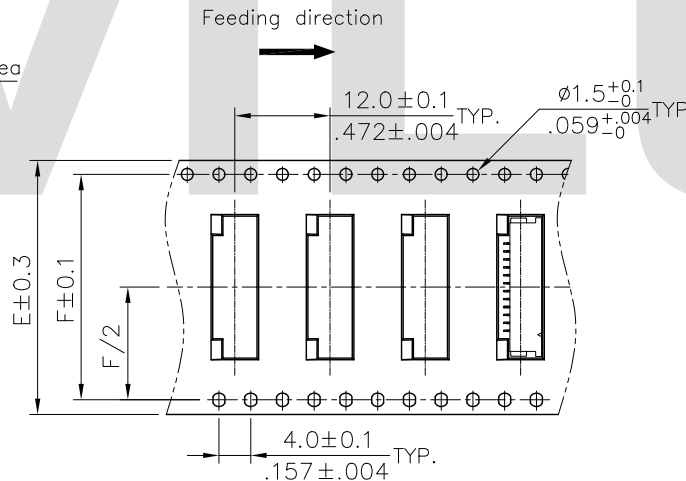
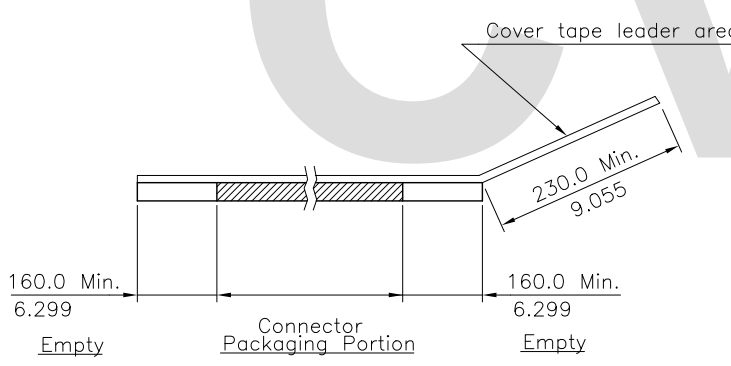




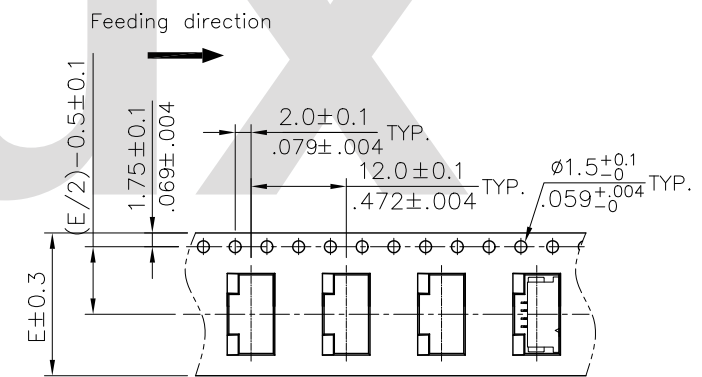
NOTE :

- * Reel Material : Corrugated Paper
- ⚠ * Carrier Material :Black, Polystyrene alloy
- * Cover Tape Material : Polyester
- * Cover Tape Peel Strength : 0.1N – 1.3N
- * Carrier camber is within 1mm in 100mm
- * All dimensions meet EIA-481-2 & EIA-481-3 requirements.
- * Quantity : 2300 PCS/Reel

Circuits	Dimension					Packing (Reel/Carton)
	E	F	W1	W2	W3	
4-12	24.0(.945)	-	24.5(.965)	30.5(1.201)	24.5(.965)	9
13-15	32.0(1.260)	28.40(1.118)	32.5(1.280)	38.5(1.516)	32.5(1.280)	7
19-25	44.0(1.732)	40.40(1.591)	44.5(1.752)	50.5(1.988)	44.5(1.752)	5
26-32	56.0(2.205)	52.40(2.063)	56.5(2.224)	62.5(2.460)	56.5(2.224)	4



WIDTH : 32,44,56 mm Carrier



WIDTH : 24 mm Carrier

RoHS Compliant

4					DATE	UNIT: mm / inch	TITLE:	瀚荃股份有限公司 CviLux Corporation	
3					8/30-12'	TOLERANCE UNLESS OTHERWISE SPECIFIED	1.00mm(.039") LIF FPC/FPC SURFACE MOUNT CONNECTOR		
2					9/03-12'	.X ±	MATERIAL:	DRAWING NO. CF0602SB PART NO. CF06**1H0*A-NH	
1	Enya	8/30-12'	ECR12043-2/ECN12209-0	2012.09.14 ISSUED	9/03-12'	.XX ±	FINISH:		
SYM	NAME	DATE	REVISIONS		APPROVED BY: David	.XXX ±		SCALE	SHEET 2 OF 2