

Material :

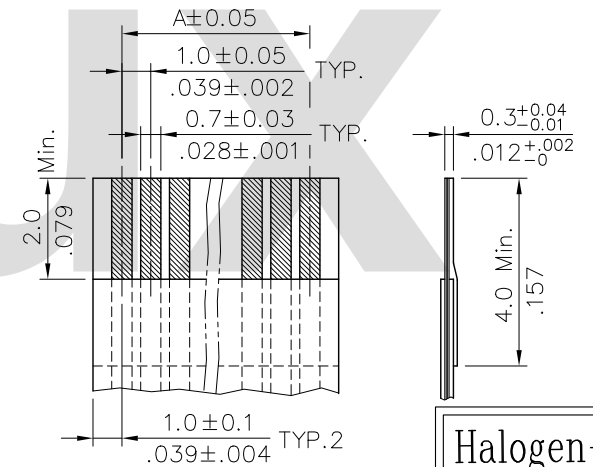
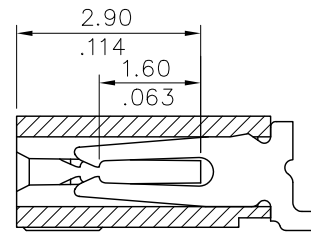
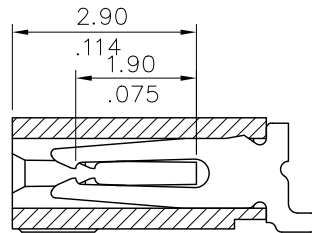
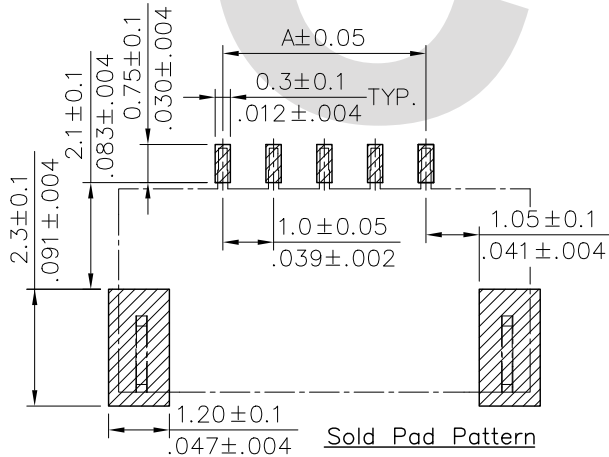
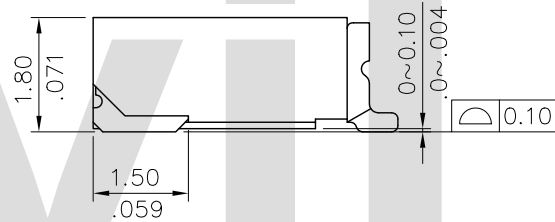
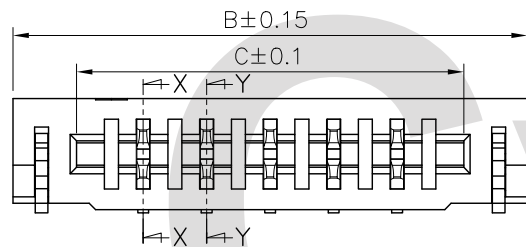
- * Body : High temperature plastic UL 94V-0
Color Nature
- * Contact : Copper alloy
- * Fixed tab : Copper alloy with Matte Tin plated

A = 1.0 * No. of Spaces

B = A + 4.1

C = A + 2.1

* Available in 4 through 15 circuits



Accommodated FFC/FPC

Ordering Code

CF06 ** 1 H 0 *0 -NH
① ② ③ ④ ⑤ ⑥ ⑦

- ① Series No.
- ② No. of Circuits
- ③ Plating code:
1 = 3.05um(120u") Min. Matte Tin on Contact area and Solder tails, 1.27um(50u") Nickel Underplating over all
- ④ Contact style: H= Side entry
- ⑤ Color: 0= Nature
- ⑥ Other option: R0= Tape & Reel
T0= Tube Packing
- ⑦ Other option:
NH= For Lead Free IR Processes and Halogen-Free

Halogen-Free

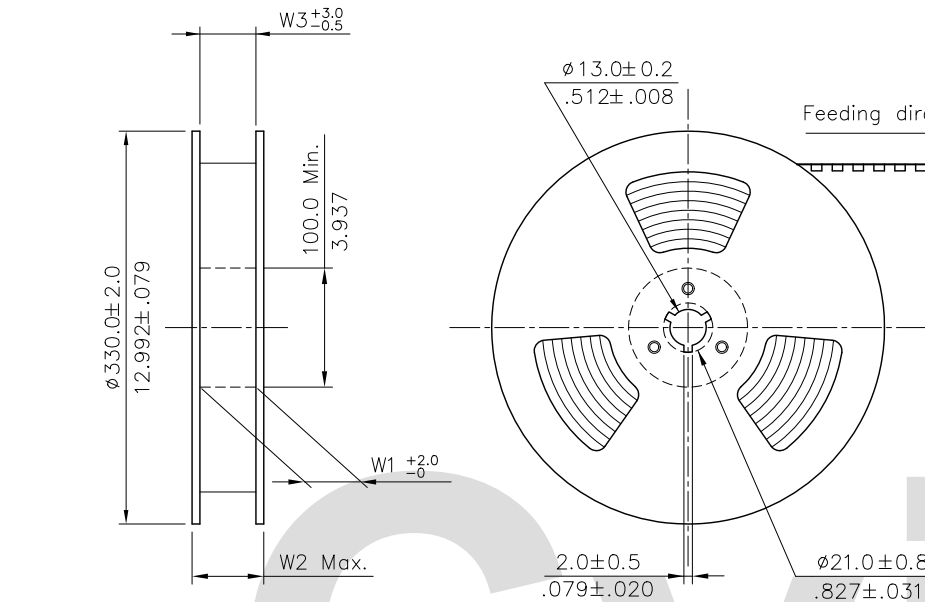
Lead Free Process

RoHS Compliant

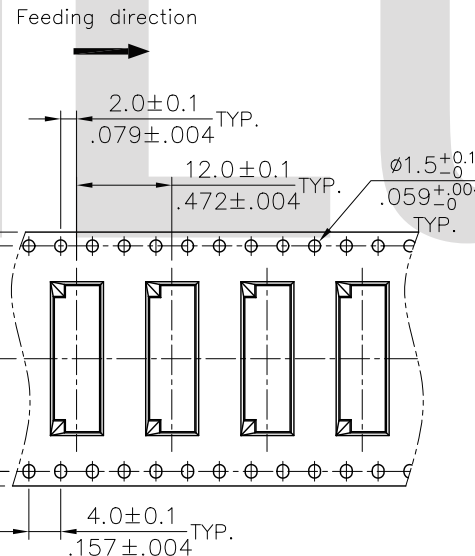
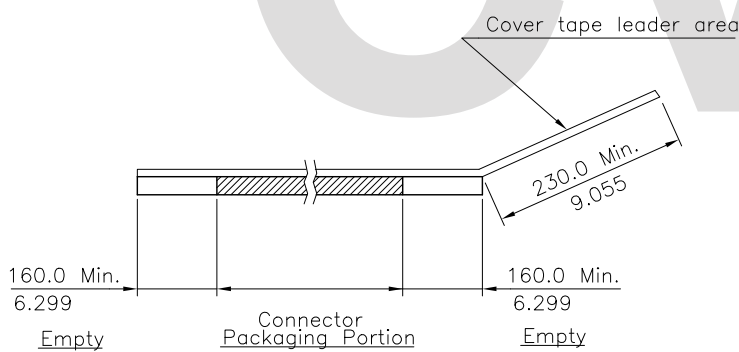
④						DATE	UNIT: mm / inch	TITLE: 1.00mm(.039") LIF FPC/FFC SURFACE MOUNT CONNECTOR	瀚荃股份有限公司 CviLux Corporation	
③			DRAWN BY: Enya		8/20-12'	TOLERANCE UNLESS OTHERWISE SPECIFIED	MATERIAL:			
②			ENGINEER: Easley		9/03-12'		.X ± 0.15/.006 X' ± 1'			DRAWING NO. CF0601SB PART NO. CF06**1H0*0-NH
①	Enya	8/30-12'	ECR12043-2/ECN12209-0		CHECKED BY: Easley		9/03-12'			
SYM	NAME	DATE	REVISIONS	APPROVED BY: David	9/03-12'	.XXX ± 0.05/.002 X' ±				

NOTE :

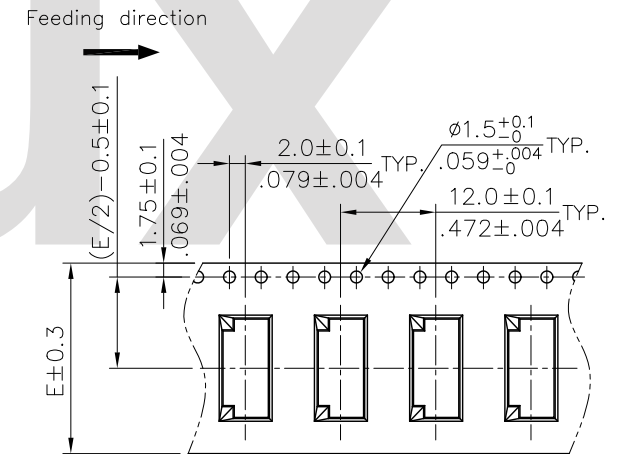
- * Reel Material : Corrugated Paper
- * Carrier Material :Black, Polystyrene alloy
- * Cover Tape Material : Polyester
- * Cover Tape Peel Strength : 0.1N – 1.3N
- * Carrier camber is within 1mm in 100mm
- * All dimensions meet EIA-481-2 & EIA-481-3 requirements.
- * Quantity : 2500 PCS/Reel



Circuits	Dimension					Packing (Reel/Carton)
	E	F	W1	W2	W3	
4-5	16.0(.630)	-	16.5(.650)	22.5(.886)	16.5(.650)	11
6-13	24.0(.945)	-	24.5(.965)	30.5(1.201)	24.5(.965)	9
14-15	32.0(1.260)	28.40(1.118)	32.5(1.280)	38.5(1.516)	32.5(1.280)	7



WIDTH : 32 mm Carrier



WIDTH : 16,24 mm Carrier

RoHS Compliant

4																				
3																				
2																				
1	Enya	8/30-12'	ECR12043-2/ECN12209-0																	
SYM	NAME	DATE	REVISIONS	APPROVED BY:	David	9/03-12'	.XXX ±	.XX ±	.X ±											
				<div style="border: 2px solid red; border-radius: 50%; padding: 5px; display: inline-block;"> CIVILUX CORP 2012.09.14 ISSUED </div>		DATE	UNIT: mm / inch	TOLERANCE UNLESS OTHERWISE SPECIFIED		TITLE: 1.00mm(.039") LIF FPC/FCC SURFACE MOUNT CONNECTOR		<div style="display: flex; align-items: center;"> <div> <p>瀚荃股份有限公司</p> <p>CviLux Corporation</p> </div> </div>								
				DRAWN BY:	Enya	8/30-12'	.X ±	.X' ±	MATERIAL:	DRAWING NO.	CF0601SB									
				ENGINEER:	Eisley	9/03-12'	.XX ±	.X ±	FINISH:	SCALE		SHEET	2 OF 2							
				CHECKED BY:	Eisley	9/03-12'	.XXX ±	.XX ±												