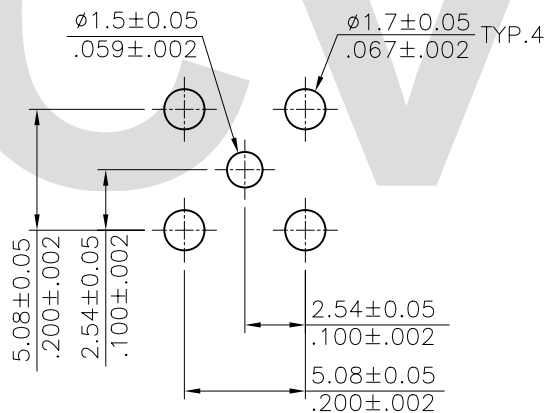
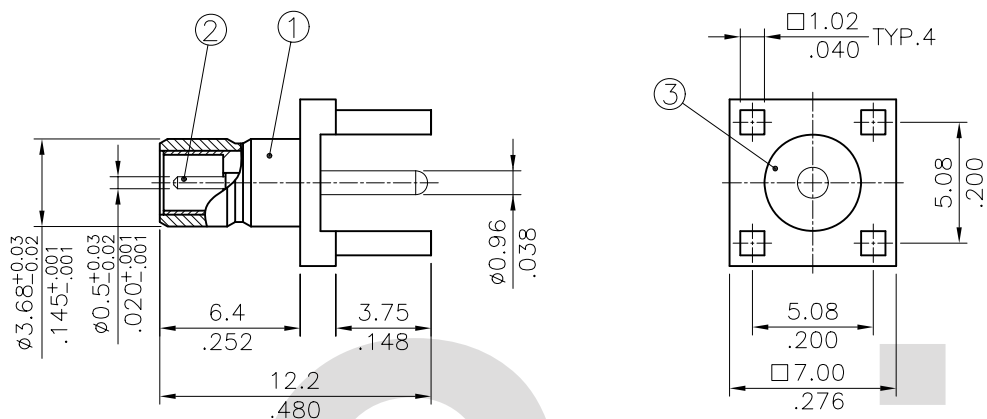


No.	DESCRIPTION	MATERIAL	FINISH	Q'TY
1	BODY	BRASS	GOLD PLATED	1
2	CONTACT	BRASS	GOLD PLATED	1
3	INSULATOR	TEFLON	-	1



Recommended P.C. Board Layout

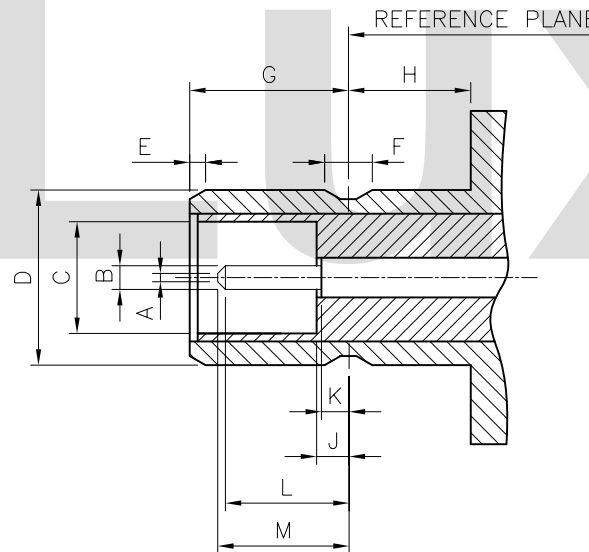
Specifications:

Electrical

Impedance: 50Ω
 Frequency Range: 0-4 GHz
 Working Voltage: 335 VRMS Max.
 Dielectric Withstanding Voltage: 1000 VRMS Min.
 VSWR: 1.3 Max.
 Contact Resistance
 Center contact: 6mΩ Max.
 Outer Contact: 2mΩ Max.
 Insulator Resistance: 1000MΩ Min.

Mechanical & Environmental



Engagement/Disengagement Force: 14 lbs. Max.
 Contact Retention: 4 lbs. Min.
 Durability (Mating): 500 cycles Min.
 Temperature Range: -65°C to 165°C
 Vibration: MIL-STD-202 Method 204 Test Cond.B
 Salt Spray: MIL-STD-202 Method 101 Test Cond.B
 Thermal Shock: MIL-STD-202 Method 107 Test Cond.B



DIM.	Min.	Max.
A	-	0.25(.010)
B	0.48(.019)	0.53(.021)
C	2.08(.082)	2.16(.085)
D	3.66(.144)	3.71(.146)
E	0.00	-
F	0.69(.027)	0.94(.037)
G	3.33(.131)	3.58(.141)
H	2.03(.080)	-
J	-	0.18(.007)
K	-	0.18(.007)
L	1.32(.052)	-
M	-	2.97(.117)

Interface Mating Dimensions

RoHS Compliant

4																							
3																							
2																							
1																							
SYM	NAME	DATE	REVISIONS	APPROVED BY:	Alex	3/14-08'	CHECKED BY:	David	3/14-08'	ENGINEER:	Eisley	3/13-08'	DRAWN BY:	Sun	3/13-08'	DATE	UNIT:	mm / inch	TITLE:	SMB SERIES STRAIGHT PCB MOUNT TYPE JACK CONN.			
																				 瀚荃股份有限公司 CviLux Corporation			
																TOLERANCE UNLESS OTHERWISE SPECIFIED				MATERIAL:		DRAWING NO. CR0202SA PART NO. CR02S03225000	
																X. ±0.50/.020 X' ± 1'				FINISH:		SCALE 2 / 1 SHEET 1 OF 1	
																.X ±0.30/.012 .X' ±							
																.XX ±0.15/.006 .XX' ±							