

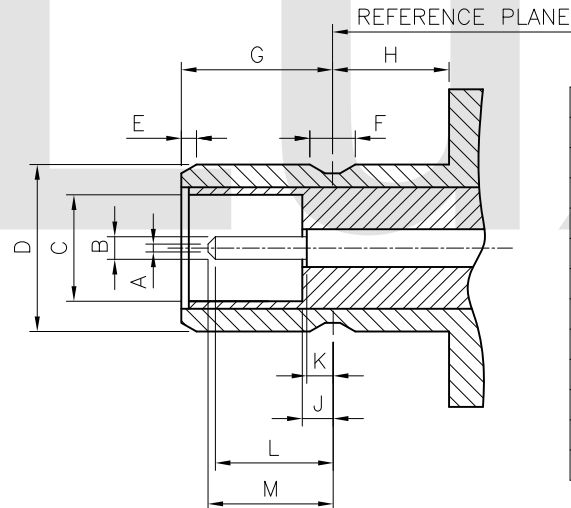
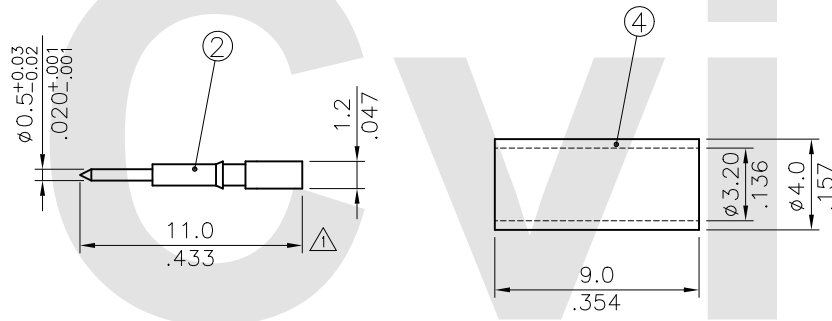
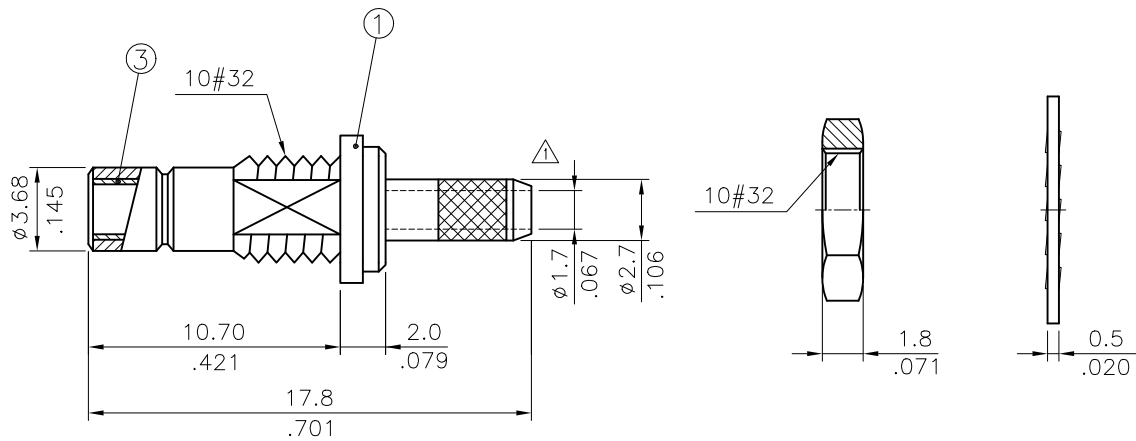
Specifications:

Electrical

Impedance: 50Ω  
 Frequency Range: 0-4 GHz  
 Working Voltage: 335 VRMS Max.  
 Dielectric Withstanding Voltage: 1000 VRMS Min.  
 VSWR: 1.3 Max.  
 Contact Resistance  
 Center contact: 6mΩ Max.  
 Outer Contact: 2mΩ Max.  
 Insulator Resistance: 1000MΩ Min.

Mechanical & Environmental

Engagement/Disengagement Force: 14 lbs. Max.  
 Contact Retention: 4 lbs. Min.  
 Durability (Mating): 500 cycles Min.  
 Temperature Range: -65°C to 165°C  
 Vibration: MIL-STD-202 Method 204 Test Cond.B  
 Salt Spray: MIL-STD-202 Method 101 Test Cond.B  
 Thermal Shock: MIL-STD-202 Method 107 Test Cond.B




DIM.	Min.	Max.
A	-	0.25(.010)
B	0.48(.019)	0.53(.021)
C	2.08(.082)	2.16(.085)
D	3.66(.144)	3.71(.146)
E	0.00(.000)	-
F	0.69(.027)	0.94(.037)
G	3.33(.131)	3.58(.141)
H	2.03(.080)	-
J	-	0.18(.007)
K	-	0.18(.007)
L	1.32(.052)	-
M	-	2.97(.117)

No.	DESCRIPTION	MATERIAL	FINISH	Q'TY
1	BODY	BRASS	GOLD PLATED	1
2	PIN	BRASS	GOLD PLATED	1
3	INSULATOR	TEFLON	-	1
4	FERRULE	BRASS	GOLD PLATED	1

Interface Mating Dimensions

RoHS Compliant

4					DATE	UNIT: mm / inch	TITLE: SMB SERIES STRAIGHT CABLE CRIMP BULKHEAD TYPE JACK CONN.	 瀚荃股份有限公司 CviLux Corporation
3				DRAWN BY: Ken	11/21-16'	TOLERANCE UNLESS OTHERWISE SPECIFIED	MATERIAL:	
2				ENGINEER: Sun	11/21-16'	X. ±0.50/020 X' ± 1'	FINISH:	
1	Ken	11/18-16'	ECNT116280/ECRT116086	CHECKED BY: Eisley	11/23-16'	X ±0.30/012 X' ±		
SYM	NAME	DATE	REVISIONS	APPROVED BY: Eisley	11/23-16'	.XX ±0.15/006 .XX ±		DRAWING NO. CR0201SB PART NO. CR02S08225000
								SCALE 3 / 1 SHEET 1 OF 1

