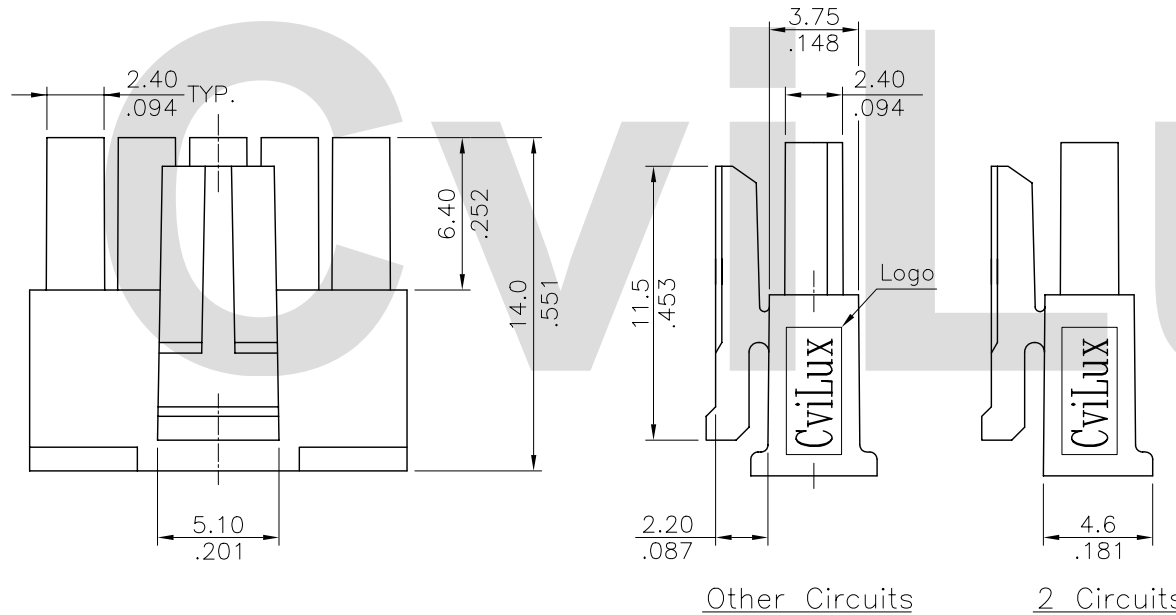


BACK VIEW

Ordering Code:

CP35 \*\* S 001 S -G  
 ① ② ③ ④ ⑤ ⑥

- ① Series No.
- ② Connector: 02 to 12
- ③ Contact type: S = Receptacle
- ④ Color: 001 = Color Black
- ⑤ Option: S= Single Row
- ⑥ Option:G= Nylon 66 UL 94V-2 (Glow wire available)



Other Circuits

2 Circuits

Circuits	Dimension	
	A	B
2	3.00(.118)	6.9(.272)
3	6.00(.236)	9.9(.390)
4	9.00(.354)	12.9(.508)
5	12.00(.472)	15.9(.626)
6	15.00(.591)	18.9(.744)
7	18.00(.709)	21.9(.862)
8	21.00(.827)	24.9(.980)
9	24.00(.945)	27.9(1.098)
10	27.00(1.063)	30.9(1.217)
11	30.00(1.181)	33.9(1.335)
12	33.00(1.299)	36.9(1.453)

④				 <b>CVILUX CORP</b> <b>2009.02.03</b> <b>ISSUED</b>		DATE	UNIT: mm / inch	TITLE: 3.00mm PITCH POWER CONNECTOR FEMALE HOUSING	 瀚荃股份有限公司 <b>CviLux Corporation</b>		
③			DRAWN BY: Karen		1/09-09'	TOLERANCE UNLESS OTHERWISE SPECIFIED	.X ±0.30/.012 .X' ± 1'	MATERIAL:		DRAWING NO. CP3593SA	PART NO. CP35**S001S-G
②			ENGINEER: Eisley		1/19-09'					.XX ±0.20/.008 .X' ±	FINISH:
①			CHECKED BY: David		1/19-09'	.XXX ±0.10/.004 .XX' ±					
SYM	NAME	DATE	REVISIONS		APPROVED BY: Alex	1/19-09'					