

Material:

* Insulation: Nylon 6T 94V-0, Color Black

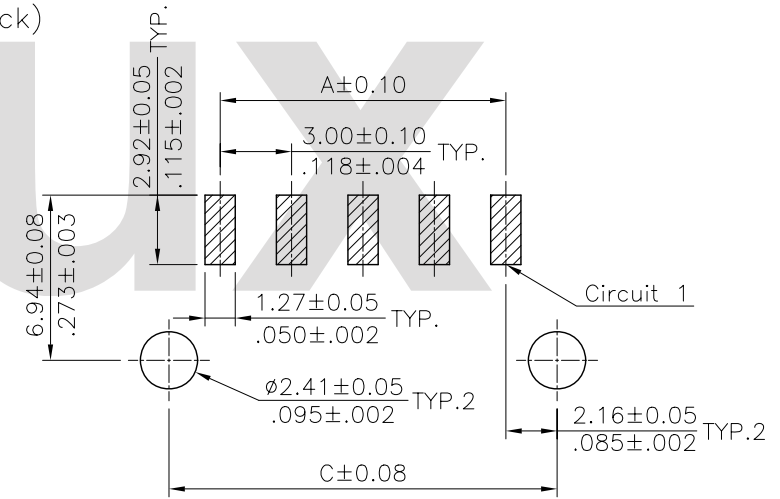
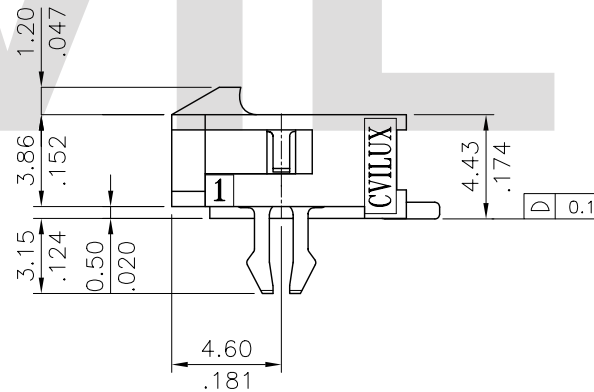
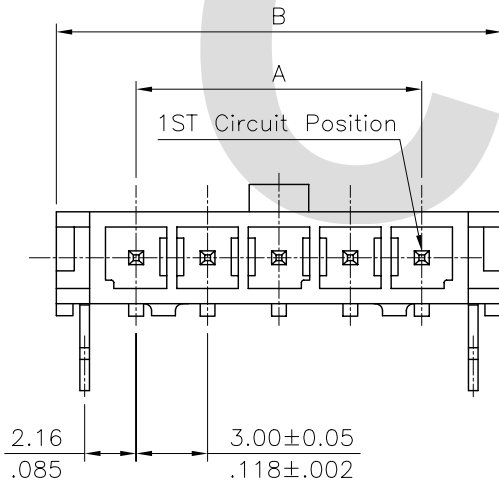
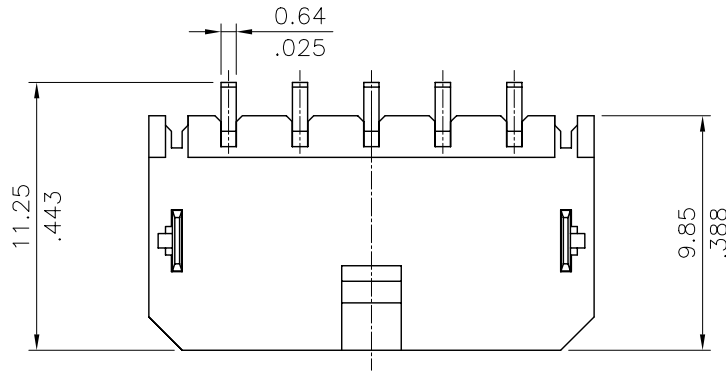
* Contact: Brass

Ordering Code:

CP35 ** P * H S 0 - S - LF
 ① ② ③ ④ ⑤ ⑥ ⑦ ⑧ ⑨

- ① Series No.
- ② No. of Circuits: 02~12
- ③ Contact type: P= Plug
- ④ Contact plated:
 - 1= Matte Tin Plated over Nickel
 - △ A= Selective Gold Flash Plated over 1.27μm(50μ") Nickel
 - B= Selective 0.38μm(15μ") Gold Plated over 1.27μm(50μ") Nickel
 - C= Selective 0.76μm(30μ") Gold Plated over 1.27μm(50μ") Nickel
- ⑤ H= Right angle type
- ⑥ Mount type : S= SMT Type
- ⑦ 0= Standard (with Metal board lock)
- ⑧ S= Single Row Header
- ⑨ LF= Lead Free soldering process

CIRCUITS	DIM.A	DIM.B	DIM.C
2	3.00(.118)	9.65(.380)	7.3(.287)
3	6.00(.236)	12.65(.498)	10.3(.406)
4	9.00(.354)	15.65(.616)	13.3(.524)
5	12.00(.472)	18.65(.734)	16.3(.642)
6	15.00(.591)	21.65(.852)	19.3(.760)
7	18.00(.709)	24.65(.970)	22.3(.878)
8	21.00(.827)	27.65(1.089)	25.3(.996)
9	24.00(.945)	30.65(1.207)	28.3(1.114)
10	27.00(1.063)	33.65(1.325)	31.3(1.232)
11	30.00(1.181)	36.65(1.443)	34.3(1.350)
12	33.00(1.299)	39.65(1.561)	37.3(1.469)



Recommended P.C. Board Layout

Lead Free Process

RoHS Compliant

SYMBOL	NAME	DATE	REVISIONS	APPROVED BY:	DATE	TITLE	UNIT	TOLERANCE	MATERIAL	FINISH	DRAWING NO.	PART NO.	SHEET
△4						3.00mm PITCH RIGHT ANGLE SMT TYPE POWER CONN.	mm / inch	UNLESS OTHERWISE SPECIFIED			CP3569SB	CP35**P*HS0-S-LF	1 OF 1
△3											3 / 1		
△2	Eager	11/09-07'	ECN07463	EAGER	11/09-07'			.X ± 0.30/.012 X' ± 1'					
△1	Eager	10/04-07'	ECN07414	DAVID	11/12-07'			.XX ± 0.20/.008 .X' ±					
				ALEX	11/12-07'			.XXX ± 0.10/.004 .XX' ±					

CIVILUX CORP.
 2007.11.19
 ISSUED

瀚荃股份有限公司
 CviLux Corporation