

Material:

* Insulation: Nylon 9T 94V-0, Color Black

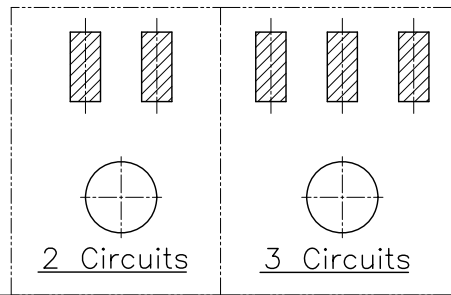
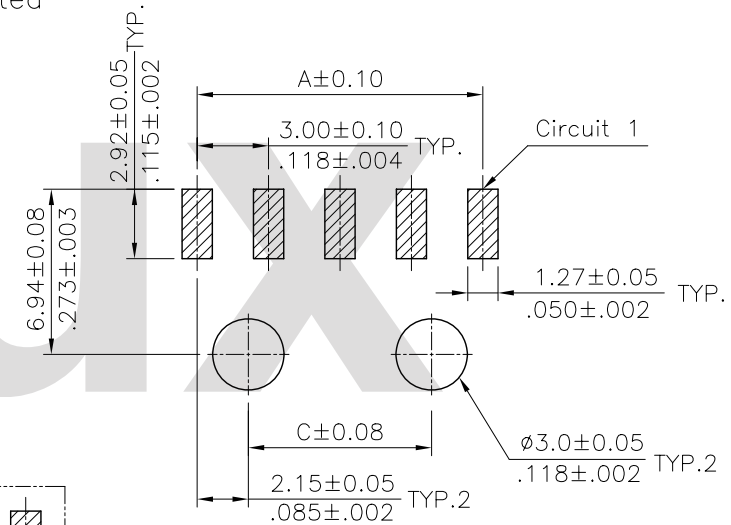
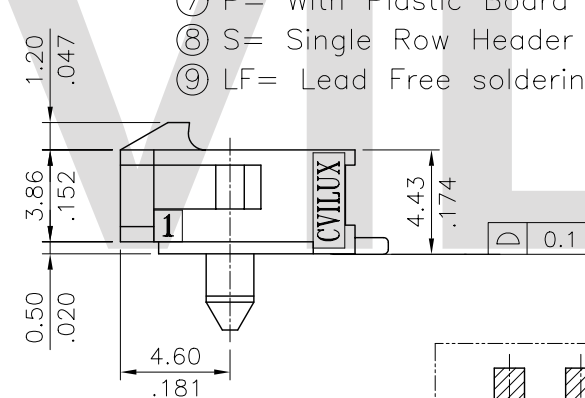
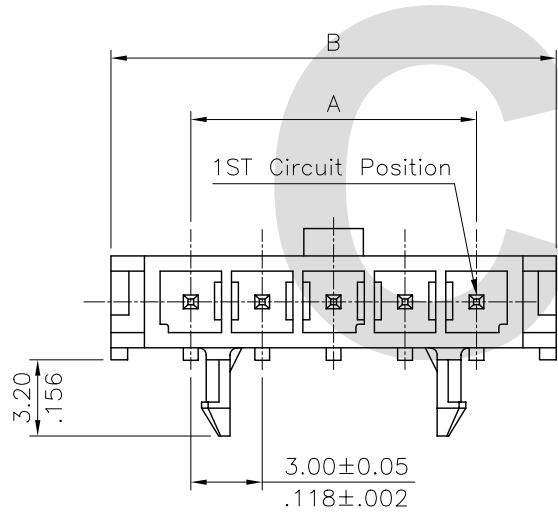
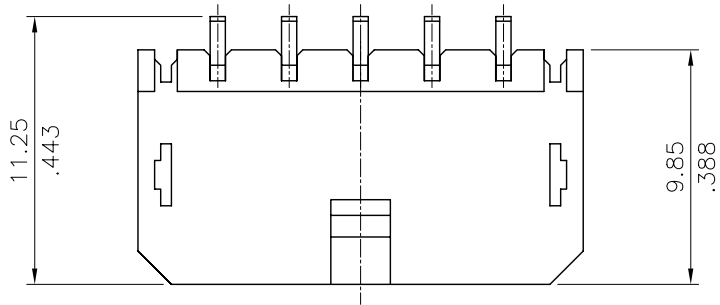
* Contact: Brass

Ordering Code:

CP35 ** P * H S P - S - LF
 ① ② ③ ④ ⑤ ⑥ ⑦ ⑧ ⑨

- ① Series No.
- ② No. of Circuits: 02~12
- ③ Contact type: P= Plug
- ④ Contact plated:
 - 1= Matte Tin Plated over Nickel
 - △ A= Selective Gold Flash Plated over 1.27μm(50μ") Nickel
 - B= Selective 0.38μm(15μ") Gold Plated over 1.27μm(50μ") Nickel
 - C= Selective 0.76μm(30μ") Gold Plated over 1.27μm(50μ") Nickel
- ⑤ H= Right angle type
- ⑥ Mount type : S= SMT Type
- ⑦ P= With Plastic Board lock
- ⑧ S= Single Row Header
- ⑨ LF= Lead Free soldering process

CIRCUITS	DIM.A	DIM.B	DIM.C
2	3.00(.118)	9.65(.380)	NA
3	6.00(.236)	12.65(.498)	NA
4	9.00(.354)	15.65(.616)	4.7(.185)
5	12.00(.472)	18.65(.734)	7.7(.303)
6	15.00(.591)	21.65(.852)	10.7(.421)
7	18.00(.709)	24.65(.970)	13.7(.539)
8	21.00(.827)	27.65(1.089)	16.7(.657)
9	24.00(.945)	30.65(1.207)	19.7(.776)
10	27.00(1.063)	33.65(1.325)	22.7(.894)
11	30.00(1.181)	36.65(1.443)	25.7(1.012)
12	33.00(1.299)	39.65(1.561)	28.7(1.130)



Recommended P.C. Board Layout

Lead Free Process
 RoHS Compliant

SYM	NAME	DATE	REVISIONS	APPROVED BY:	Alex	11/12-07'	UNIT: mm / inch	TITLE: 3.00mm PITCH RIGHT ANGLE SMT TYPE POWER CONN.	MATERIAL:	FINISH:	DRAWING NO.	CP3568SB	PART NO.	CP35**P*HSP-S-LF		
△4																
△3																
△2	Eager	11/09-07'	ECN07463	ENGINEER:	Easley	11/12-07'	TOLERANCE UNLESS OTHERWISE SPECIFIED .X ± 0.30/.012 X' ± 1' .XX ± 0.20/.008 .X' ± .XXX ± 0.10/.004 .XX' ±	MATERIAL:	3030	SMT	DRAWING NO.	CP3568SB	PART NO.	CP35**P*HSP-S-LF		
△1	Eager	10/04-07'	ECN07414	CHECKED BY:	David	11/12-07'					FINISH:		SCALE	3 / 1	SHEET	1 OF 1
△				APPROVED BY:	Alex	11/12-07'										

CVILUX CORP.
 2007.11.19
 ISSUED

瀚荃股份有限公司
 CviLux Corporation