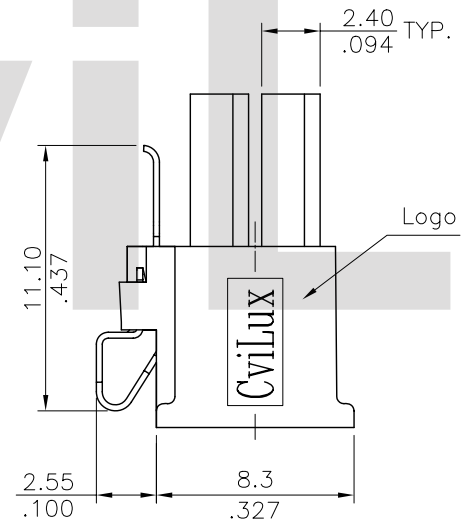
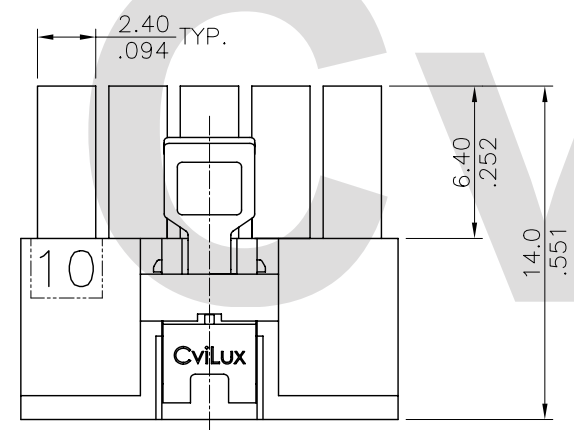


Material :
Insulator: PBT UL 94V-0
Latch : Stainless steel

Ordering Code:

CP35 ** S ML 1 0
① ② ③ ④ ⑤ ⑥

- ① Series No.
- ② Connector: 04 to 24
- ③ Contact type: S = Receptacle
- ④ ML = Metal Latch Type
- ⑤ Color: 1 = Color Black
- ⑥ Other option: 0 = Standard



Circuits	Dimension	
	A	B
4	3.00(.118)	6.9(.272)
6	6.00(.236)	9.9(.390)
8	9.00(.354)	12.9(.508)
10	12.00(.472)	15.9(.626)
12	15.00(.591)	18.9(.744)
14	18.00(.709)	21.9(.862)
16	21.00(.827)	24.9(.980)
18	24.00(.945)	27.9(1.098)
20	27.00(1.063)	30.9(1.217)
22	30.00(1.181)	33.9(1.335)
24	33.00(1.299)	36.9(1.453)

RoHS Compliant

④						DATE	UNIT: mm / inch	TITLE: 3.00mm PITCH POWER CONNECTOR FEMALE HOUSING	瀚荃股份有限公司 CviLux Corporation
③						DRAWN BY: Kevin	TOLERANCE UNLESS OTHERWISE SPECIFIED	MATERIAL:	
②						ENGINEER: Eisley	.X ±0.30/.012 X' ± 1'	FINISH:	DRAWING NO. CP3544SB
①	Kevin	12/31-09'	ECN09625			CHECKED BY: David	.XX ±0.20/.008 .X' ±		PART NO. CP35**SML10
SYM	NAME	DATE	REVISIONS			APPROVED BY: David	.XXX ±0.10/.004 .XX' ±		SCALE 3 / 1
									SHEET 1 OF 1

CVILUX CORP
 2010.01.12
 ISSUED