

Material:

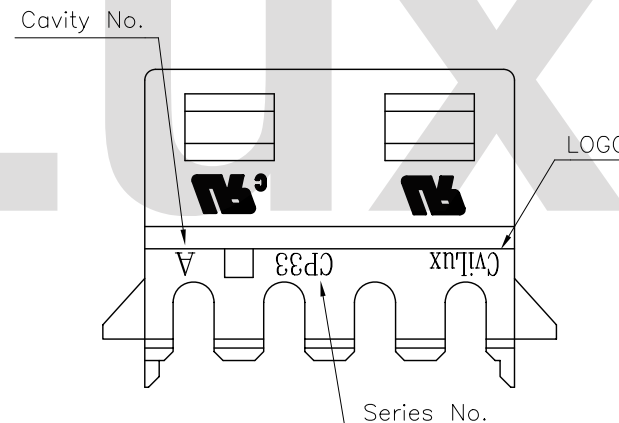
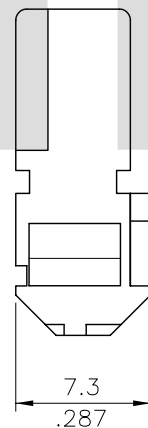
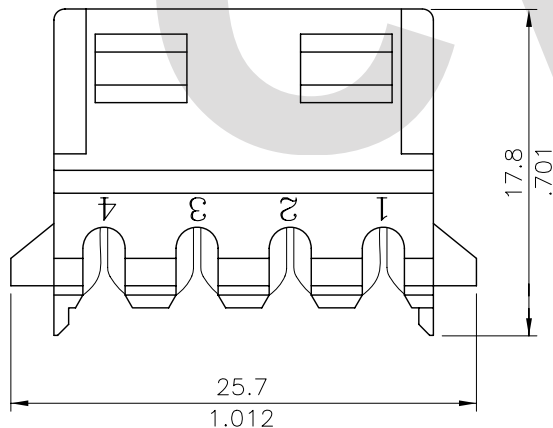
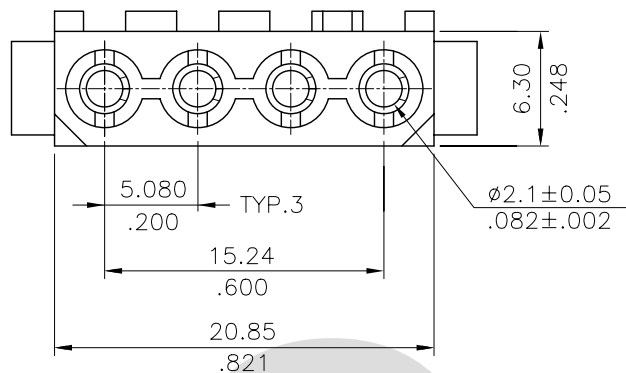
* Insulation: Nylon 66 94V-2 or 94V-0



* Contact: Phosphor Bronze

Ordering Code:

CP33 04 S 1 00 *
 ① ② ③ ④ ⑤ ⑥

- ① Series No.
- ② No. of Circuits: 4 Circuits
- ③ Contact type: S=Female
- ④ Contact plated: 1= Tin over 1.27μm (50μ") Nickel
- ⑤ Color code: 00= Color Nature
- ⑥ Option: 0= 94V-2, Acceses AWG#18~20
 A= 94V-2, Acceses AWG#22
 B= 94V-0, Acceses AWG#18~20
 C= 94V-0, Acceses AWG#22



④				 CviLux Corp. 2003.03.12 ISSUED		DATE	UNIT: mm / inch	TITLE: 5.08MM(.200") IDC RECEPTACLE CONNECTOR	 瀚荃股份有限公司 CviLux Corporation
③			DRAWN BY: Sun		03/10-03'	TOLERANCE UNLESS OTHERWISE SPECIFIED	MATERIAL:	DRAWING NO. CP3301SD PART NO. CP3304S100*	
②			ENGINEER: David		03/10-03'				
①			CHECKED BY: David		03/10-03'	.XX ± 0.20/.008 .X: ±	FINISH:	SCALE 2 / 1	SHEET 1 OF 1
SYM	NAME	DATE	REVISIONS		APPROVED BY: Alex	03/10-03'		.XXX ± 0.10/.004 .XX ±	