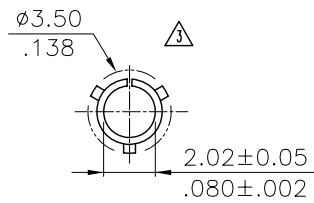
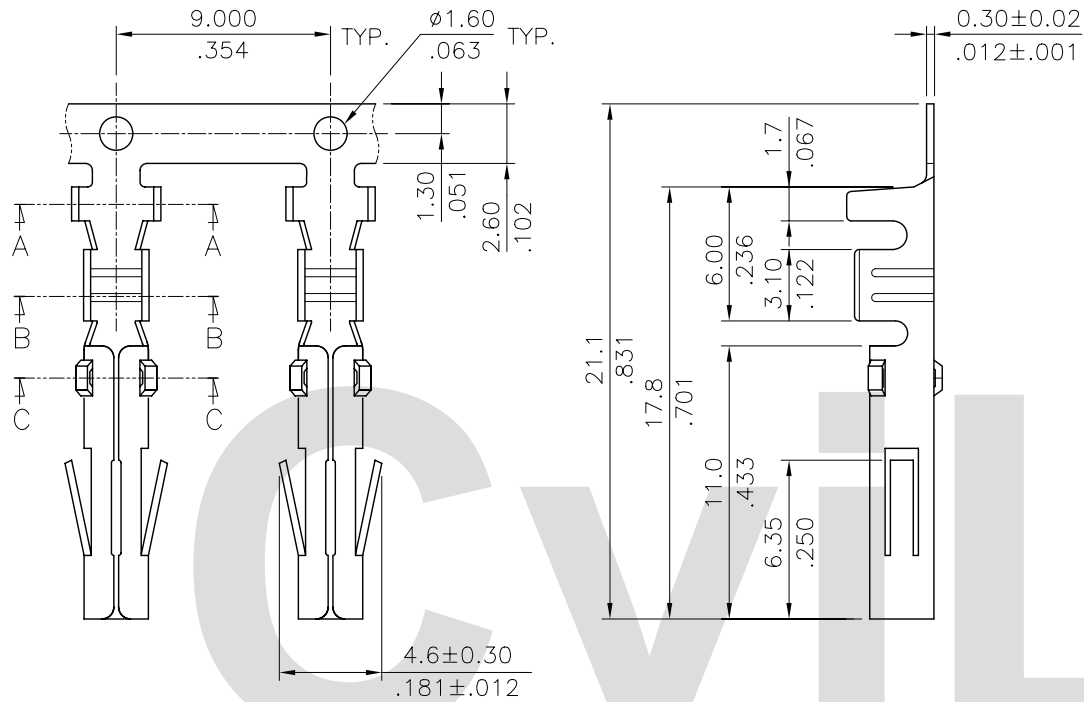


Part No.	Wire Range	Insulation Diameter	Reel Q'ty
CP32T021*ES	AWG #20~#22	2.40 (.094) MAX.	6,000 PCS.
CP32T031*ES	AWG #16~#18	2.80 (.110) MAX.	6,000 PCS.

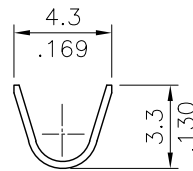
Ordering Code:

CP32 T02 1 B E S
① ② ③ ④ ⑤ ⑥

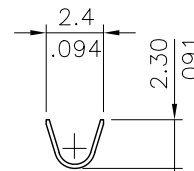
- ① Series No.
- ② Type: T02= AWG #20 ~ #22
T03= AWG #16 ~ #18
- ③ Plating: 1= 2.03 μ m(80 μ ") Min. Tin Plated over 0.76 μ m(30 μ ") Nickel
- △ ④ Material: B= Brass
- ⑤ Plating method: E= Pre-tinned
- ⑥ Option: S= Receptacle Terminal



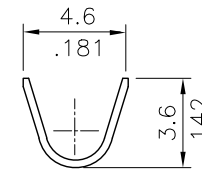
SEC.: C-C



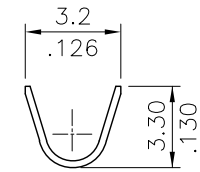
SEC.: A-A



SEC.: B-B



SEC.: A-A



SEC.: B-B

(P/N: CP32T021BES)

(P/N: CP32T031BES)

SYM	NAME	DATE	REVISIONS	APPROVED BY:	DATE	UNIT: mm / inch	TITLE:	CviLux Corporation			
△4							CRIMP CLIP TERMINAL	瀚荃股份有限公司 CviLux Corporation			
△3	SUN	5/27/05'	ECN05189	DRAWN BY: Sun	05/28-05'	TOLERANCE UNLESS OTHERWISE SPECIFIED	MATERIAL:				
△2	SUN	9/17/04'	ECN04364/ECR04084-0	ENGINEER: Eisley	05/28-05'	.X ± 0.30/.012 X' ± 1"	FINISH:	SCALE	3 / 1	SHEET	1 OF 1
△1	SUN	9/10/03'	ECN03288/ECR03021-0	CHECKED BY: David	05/30-05'	.XX ± 0.20/.008 X' ±					
				APPROVED BY: Alex	05/30-05'	.XXX ± 0.10/.004 .XX' ±					

CviLUX CORP.
 2005.05.31
 ISSUED