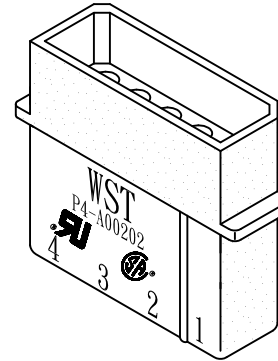
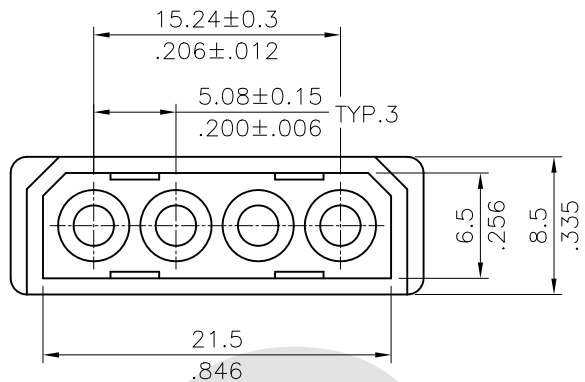


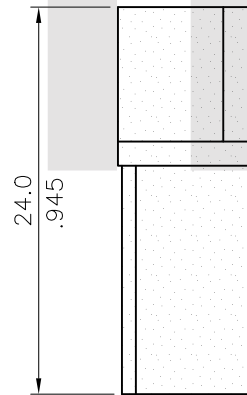
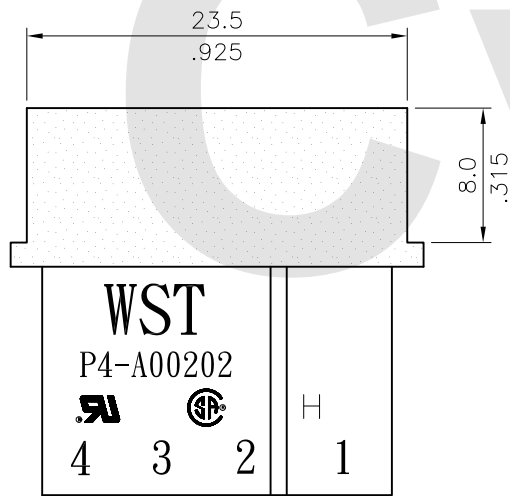
* Material: Nylon 66 UL 94V-2



Ordering Code:

CP32 04 P 0 000
 ① ② ③ ④ ⑤

- ① Series No.
- ② Contacts: 04
- ③ Contact type: P= Plug
- ④ Color: 0= Color Nature
- ⑤ Option: 000= Standard



Halogen-Free

RoHS Compliant

4						DATE	UNIT: mm / inch	TITLE:
3					DRAWN BY: Karen	9/30-15'	TOLERANCE UNLESS OTHERWISE SPECIFIED	CRIMP TYPE PLUG POWER CONNECTOR
2					ENGINEER: Sun	9/30-15'	.X ± 0.30/.012 X: ± 1'	MATERIAL:
1	Karen	9/25-15'	ECNT115226/ECRT115089		CHECKED BY: Eisley	9/30-15'	.XX ± 0.20/.008 X: ±	FINISH:
SYM	NAME	DATE	REVISIONS		APPROVED BY: Eisley	9/30-15'	.XXX ± 0.10/.008 .XX ±	



瀚荃股份有限公司
CviLux Corporation

DRAWING NO.	CP3202SD	PART NO.	CP3204P0000
SCALE	2 / 1	SHEET	1 OF 1