

Circuits	Dimension			
	A	B	C	D
3	7.50(.295)	11.5(.453)	7.50(.295)	14.5(.571)
4	10.0(.394)	14.0(.551)	10.0(.394)	17.0(.669)
5	12.5(.492)	16.5(.650)	12.5(.492)	19.5(.768)
6	15.0(.591)	19.0(.748)	15.0(.591)	22.0(.866)

Material:

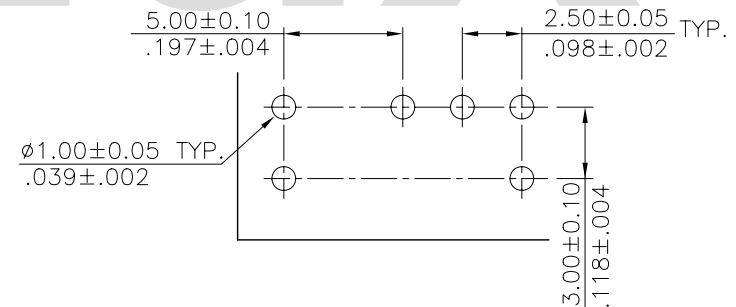
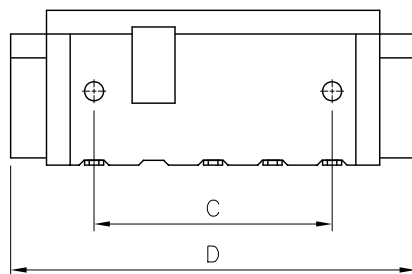
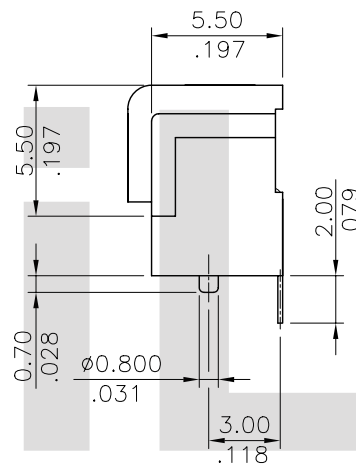
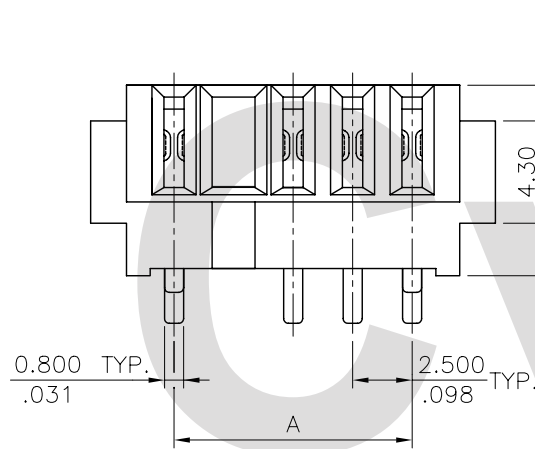
\* Insulation: High temperature plastic  
UL 94V-0 Color Black

\* Contact: 0.20t Copper alloy

Ordering Code:

CP20 \*\* S 9 H 1 A  
① ② ③ ④ ⑤ ⑥ ⑦

- ① Series No.
- ② No. of Circuits: 3 to 6
- ③ S= Receptacle
- ④ Plating: 9= 5μ" Min. Gold over 80μ" Nickel
- ⑤ Type: H= Right Angle
- ⑥ Color: 1= Black
- ⑦ Other option: A= With Hole



Recommended P.C Board Layout

④						DATE	UNIT: mm / inch	TITLE:	瀚荃股份有限公司 CviLux Corporation	
③					DRAWN BY:	Lynn	02/15-05'	TOLERANCE UNLESS OTHERWISE SPECIFIED		2.50(.098)MM PITCH BATTERY FEMALE CONN. (A TYPE)
②					ENGINEER:	Eisley	02/21-05'	.X ± 0.30/.012    .X' ± 1'		MATERIAL:
①	LYNN	02/15-05	ECN04520		CHECKED BY:	David	02/21-05'	.XX ± 0.20/.008    .X' ±		CUSTOMER:
SYM	NAME	DATE	REVISIONS	APPROVED BY:	Alex	02/21-05'	.XXX ± 0.10/.004    .XX' ±		DRAWING NO. CP2003SA	PART NO. CP20**S*H1A
									SCALE 3 / 1	SHEET 1 OF 1