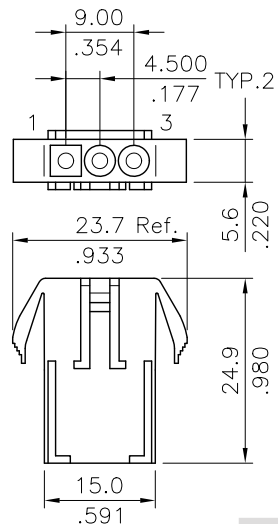
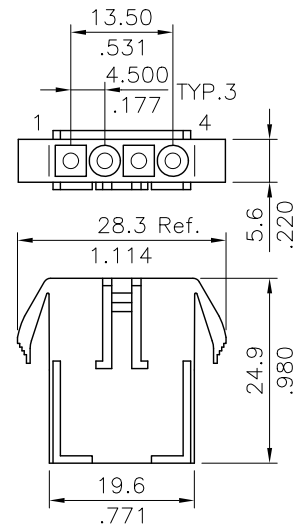


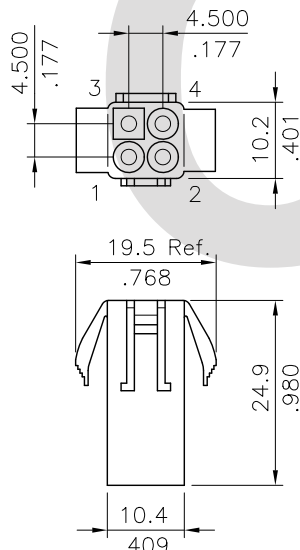
2 CIRCUITS



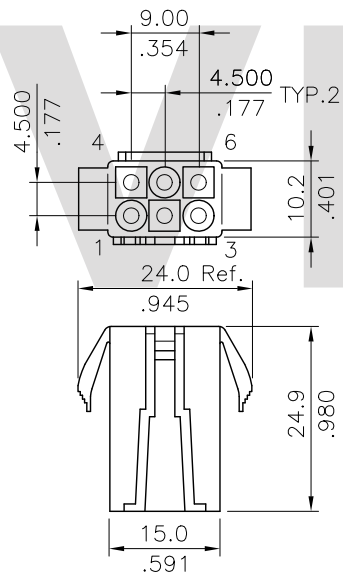
3 CIRCUITS



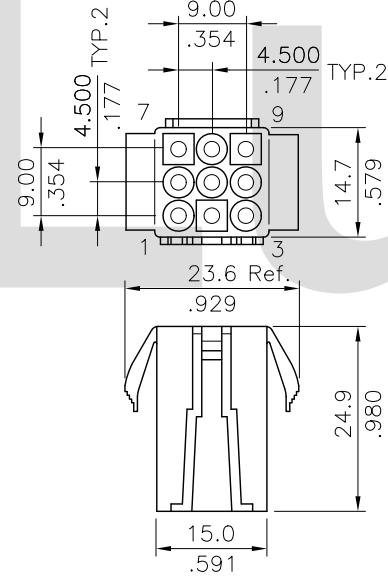
4 CIRCUITS



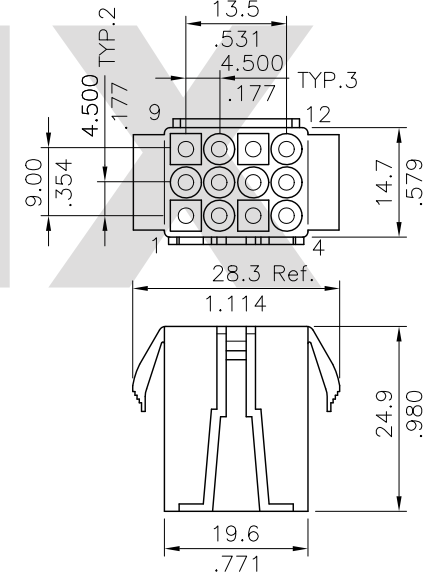
4 CIRCUITS  
(P/N: CP1104P000A)



6 CIRCUITS



9 CIRCUITS





12 CIRCUITS

\* Material: Nylon 66 UL 94V-0  
Color Nature

Ordering Code:

CP11 \*\* P 0000  
① ② ③ ④

- ① Series No.
- ② Contacts: No of Circuits
- ③ Contact type: P= Male
- ④ Other option: 0000= Standard

④					DATE	UNIT: mm / inch	TITLE: WIRE TO WIRE POWER CONNECTOR	 瀚荃股份有限公司 CviLux Corporation				
③					DATE	TOLERANCE UNLESS OTHERWISE SPECIFIED	MATERIAL:					DRAWING NO.
②	Una	11/11-10'	ECN10365		DRAWN BY:	Una	11/11-10'	FINISH:	SCALE	1 / 1	SHEET	1 OF 1
①	Sun	9/22-09'	ECR09122-0/ECN09457		ENGINEER:	Clark	11/17-10'		.X ± 0.30/.012	X.* ± 1"		
					CHECKED BY:	David	11/17-10'		.XX ± 0.20/.008	.X* ±		
SYM	NAME	DATE	REVISIONS		APPROVED BY:	David	11/17-10'	.XXX ± 0.10/.004	.XX* ±			