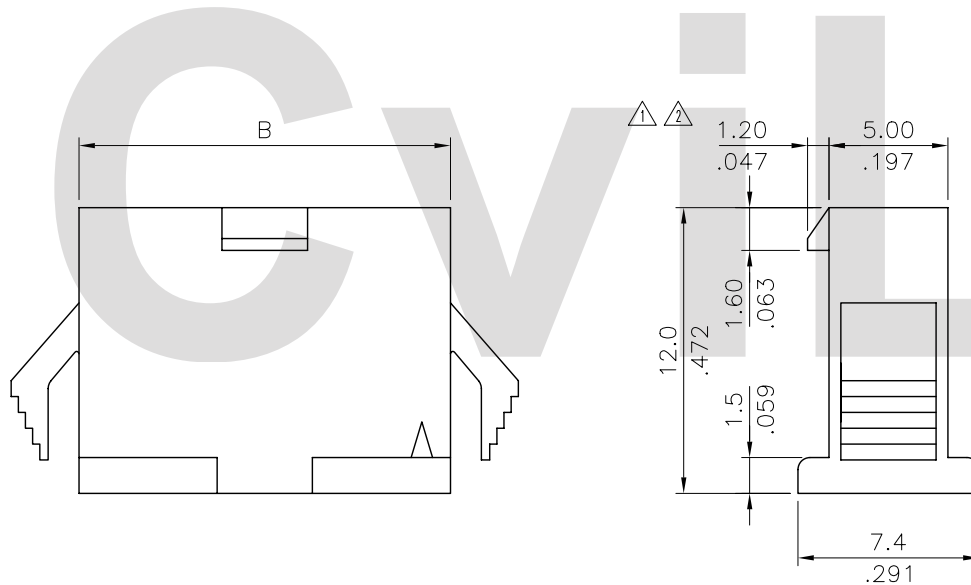


Material: Nylon 66 UL 94V-2

Ordering Code:

CP06 ** S 001 0
 ① ② ③ ④ ⑤

- ① Series No.
- ② Contacts: 02 to 12
- ③ Contact type: S= Receptacle
- ④ Color : 001= Color Black
- ⑤ Option: 0= Standard



Circuits	Dimension		④
	A	B	
2	2.50(.098)	5.7(.224)	
3	5.00(.197)	8.2(.323)	
4	7.50(.295)	10.7(.421)	
5	10.00(.394)	13.2(.519)	
6	12.50(.492)	15.7(.618)	
7	15.00(.591)	18.2(.717)	
8	17.50(.689)	20.7(.815)	
9	20.00(.787)	23.2(.913)	
10	22.50(.886)	25.7(1.012)	
11	25.00(.984)	28.2(1.110)	
12	27.50(1.083)	30.7(1.209)	

CVILUX.XORP
 2008.06.10
 ISSUED

④					DATE	UNIT: mm / inch	TITLE: 2.50mm (.098") WIRE TO WIRE CONNECTOR	瀚荃股份有限公司 CviLux Corporation
③	Sandy	5/20-08'	ECN08229	DRAWN BY: Sandy	5/20-08'	TOLERANCE UNLESS OTHERWISE SPECIFIED	MATERIAL:	
②	SUN	5/12/05'	ECN05168/ECR05043-0	ENGINEER: Clark	5/21-08'	.X ± 0.30/.012 .X* ± r	FINISH:	PART NO. CP06**S0010
①	SUN	3/25/04'	ECN04118/ECR04032-0	CHECKED BY: David	5/21-08'	.XX ± 0.20/.008 .X* ±		SCALE 2 / 1
SYM	NAME	DATE	REVISIONS	APPROVED BY: Alex	5/21-08'	.XXX ± 0.10/.004 .XX* ±		

