

Material:

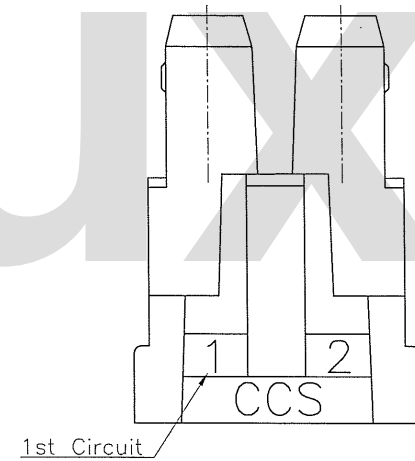
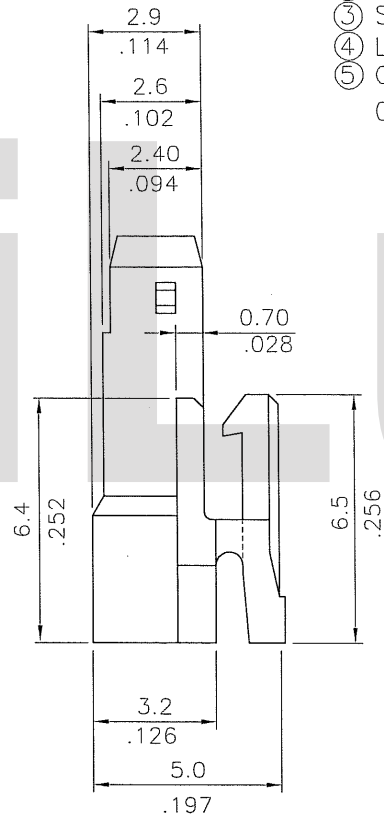
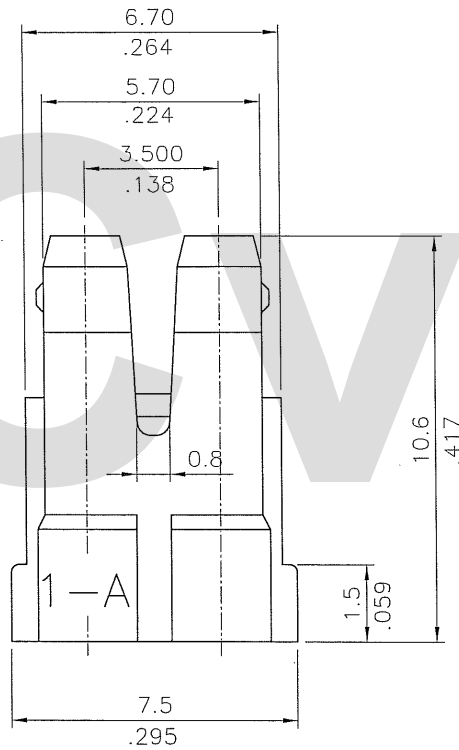
Insulator: Nylon 66 UL 94V-0

Ordering Code:

CP05 02 S L 000
 ① ② ③ ④ ⑤

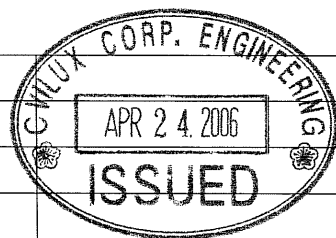
- ① Series No.
- ② No. of Circuits: 2 PIN
- ③ S= Connector Housing
- ④ L=With Latch Type
- ⑤ Other option:

000= Color White(Standard)



BOTTOM VIEW

RoHS Compliant



4					DATE	UNIT: mm / inch	TITLE: 3.5mm PITCH HOUSING With Latch Type	瀚荃股份有限公司 CviLux Corporation		
3					DRAWN BY: Clark 4/21-06'	TOLERANCE UNLESS OTHERWISE SPECIFIED	MATERIAL:			
2					ENGINEER: Easley 4/21-06'	.X ± 0.30/.012 .X* ± 1'	FINISH:	SCALE 5 / 1	SHEET 1 OF 1	
1					CHECKED BY: David 4/21-06'	.XX ± 0.20/.008 .X* ±				
SYM	NAME	DATE	REVISIONS	APPROVED BY: David 4/21-06'		.XXX ± 0.10/.004 .XX ±				