

Material: Insulator: Nylon 6T UL 94V-0, Color Nature(Ivory)

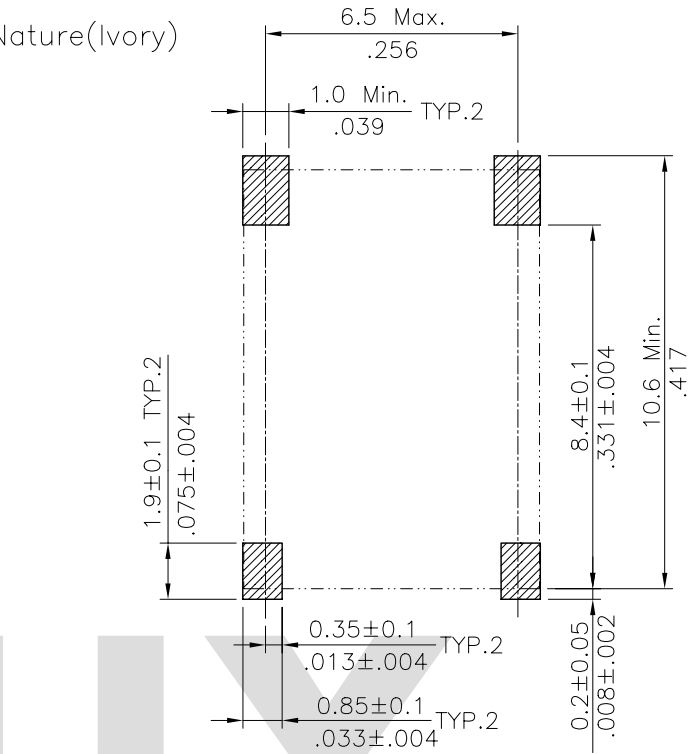
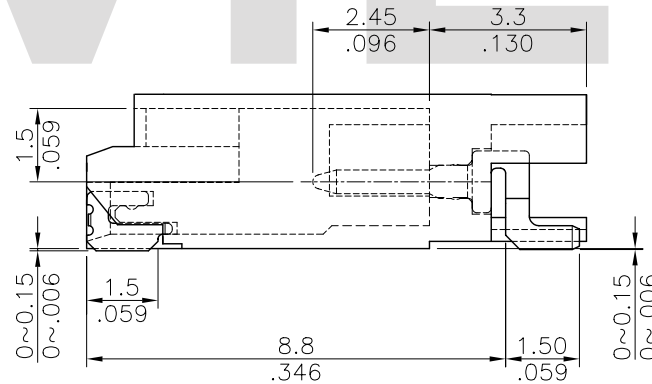
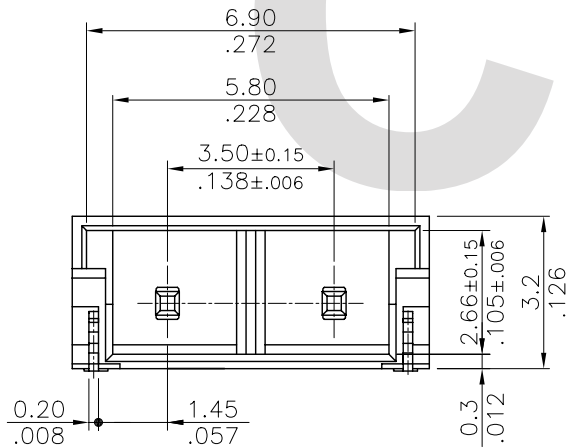
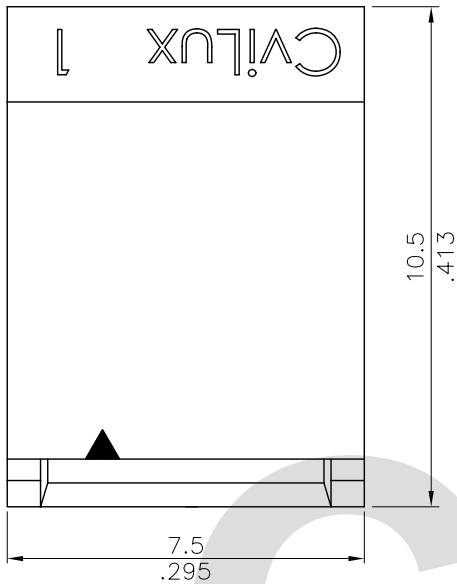
Contact: Brass  
Fixed Tab: Brass

Plating: Contact: See ordering code  
Fixed Tab: Tin plated over Nickel

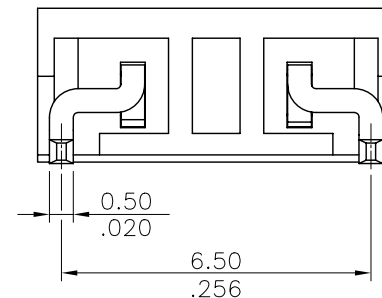
Ordering Code:

CP05 02 P 1 M R 0  
① ② ③ ④ ⑤ ⑥ ⑦

- ① Series No.
- ② Circuits: 02
- ③ P= Pin Header
- ④ Plating Code:  
1= Tin plated over Nickel
- ⑤ Contact type: M= SMT Type
- ⑥ Packing option: T= Tube Packing  
R= Tape & Reel
- ⑦ Option: 0= Standard



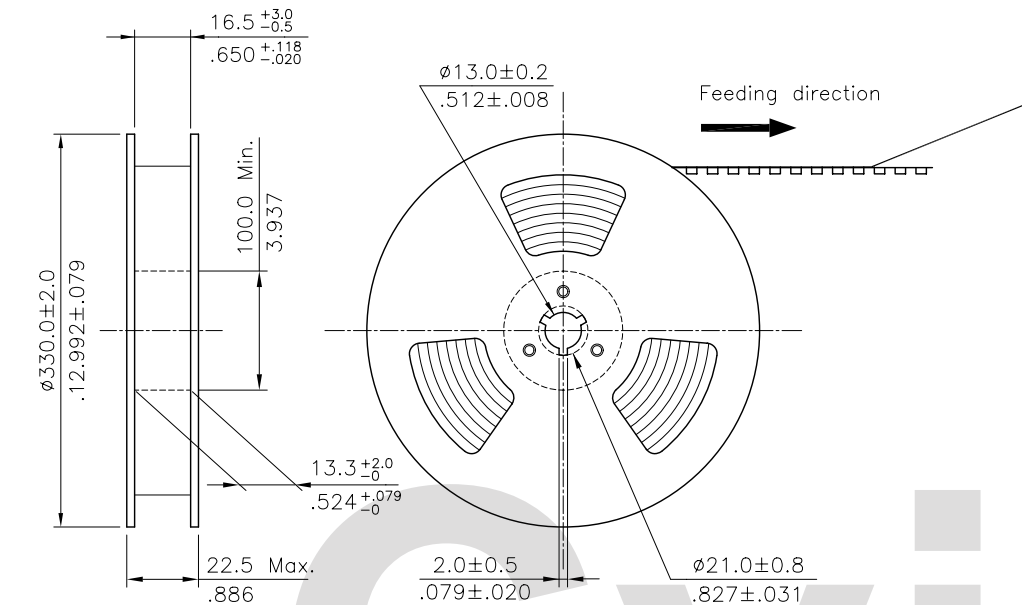
Recommended P.C. Board Layout



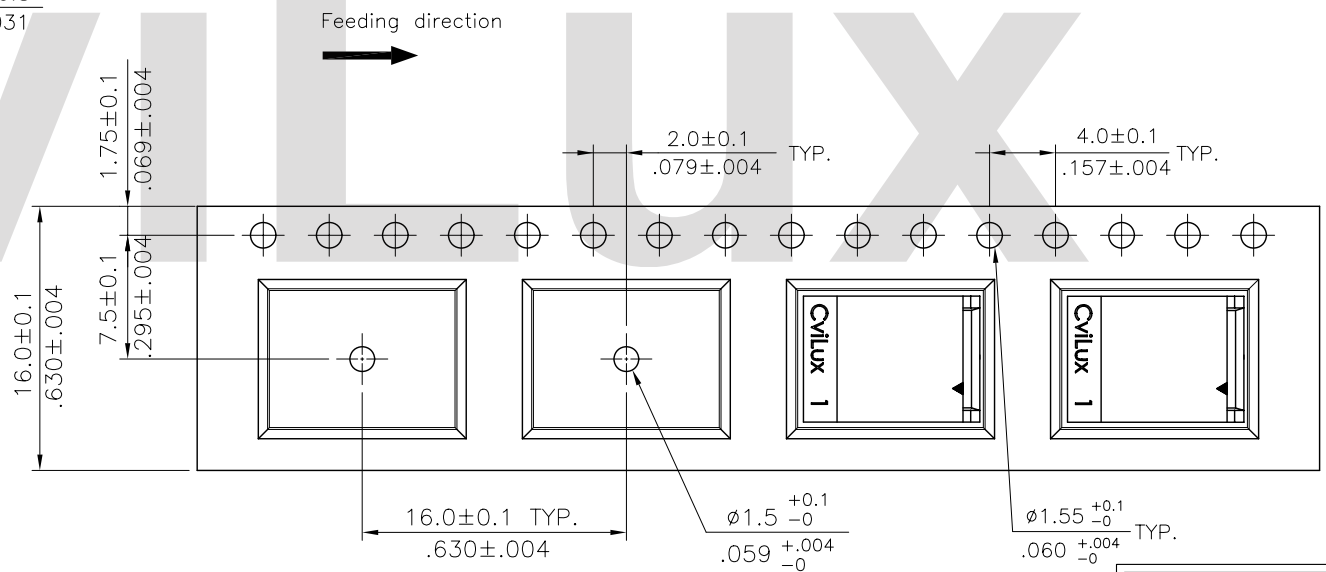
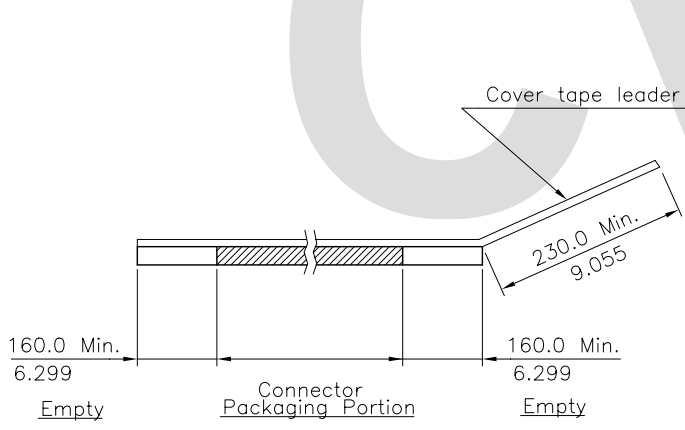
BACK VIEW

RoHS Compliant

④	Sandy	4/29-07'	ECN07153			DATE	UNIT: mm / inch	TITLE: 3.5mm PITCH WIRE TO BOARD CONNECTOR	 瀚荃股份有限公司 CviLux Corporation	
③	Sun	11/23/04	ECR04115-0/ECN04475		DRAWN BY: Sandy	8/30-07'	TOLERANCE UNLESS OTHERWISE SPECIFIED	MATERIAL:		DRAWING NO. CP0501SF
②	Sun	10/18/04	ECR04091-0/ECN04407		ENGINEER: Eisley	9/03-07'	.X ± 0.30/.012 X' ± r'	FINISH:		PART NO. CP0502P1M*0
⑤	Sandy	8/30-07'	ECN07356		CHECKED BY: David	9/03-07'	.XX ± 0.20/.008 .X' ±		SCALE 5 / 1	
SYM	NAME	DATE	REVISIONS		APPROVED BY: Alex	9/03-07'	.XXX ± 0.10/.004 .XX' ±		SHEET 1 OF 2	



- NOTE :
- \* Reel Material : HIPS
  - \* Carrier Material : Color Limpidity, Transparent Polystyrene Alloy
  - \* Cover Tape Material : Polyester
  - \* Cover Tape Peel Strength : 0.1N – 1.3N
  - \* Carrier camber is within 1mm in 100mm
  - \* All dimensions meet EIA-481-B requirements.
  - \* Quantity : 1000 PCS/Reel



RoHS Compliant

4	Sandy	4/29-07'	ECN07153		DATE	UNIT: mm / inch	TITLE: 3.5mm PITCH WIRE TO BOARD CONNECTOR	 瀚荃股份有限公司 CvILux Corporation	DRAWING NO.	CP0501SF	PART NO.	CP0502P1M*0			
3	Sun	11/23/04	ECR04115-0/ECN04475		DRAWN BY: Sandy	8/30-07'	TOLERANCE UNLESS OTHERWISE SPECIFIED		MATERIAL:	SCALE		SHEET	2	OF	2
2	Sun	10/18/04	ECR04091-0/ECN04407		ENGINEER: Eisley	9/03-07'				.X ±	.X' ± 1'	FINISH:			
5	Sandy	8/30-07'	ECN07356		CHECKED BY: David	9/03-07'	.XX ±	.X' ±							
SYM	NAME	DATE	REVISIONS		APPROVED BY: Alex	9/03-07'	.XXX ±	.XX' ±							