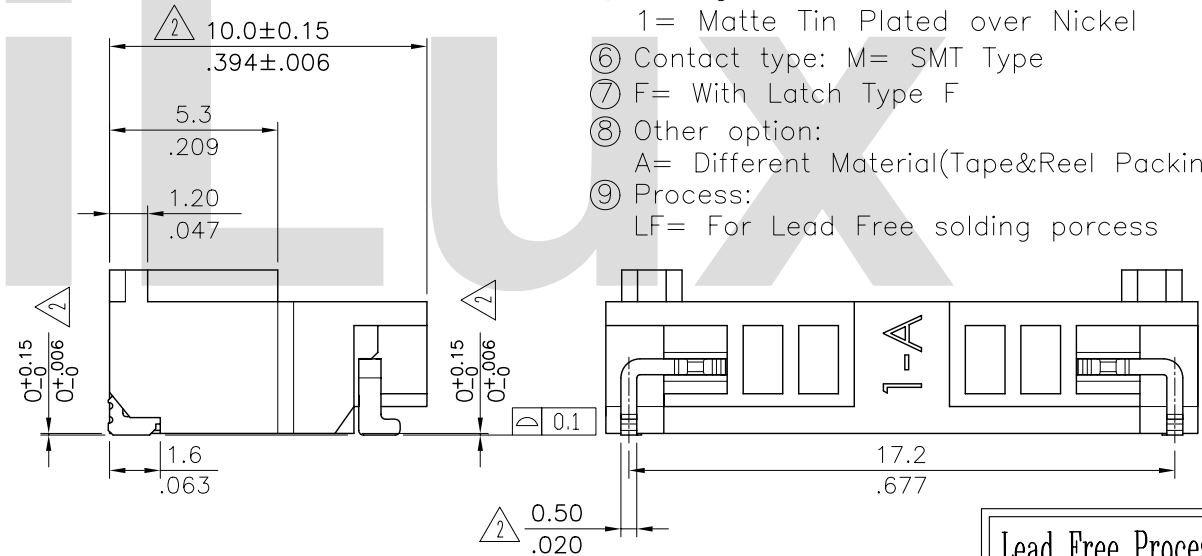


Sold Pad Pattern



Material:

Insulator: Nylon 6T/66 with 30% G.F
(HTNFR52G30NH)(No halogen)
UL 94V-0 Color Nature

Contact: Brass
Tab: Brass

Ordering Code:

CP04 2 E P 1 M F A - LF
① ② ③ ④ ⑤ ⑥ ⑦ ⑧ ⑨

- ① Series No.
- ② Circuits: 2 Pin
- ③ Circuits pitch:
E = 13.0mm
- ④ P = Pin Header
- ⑤ Plating Code:
1 = Matte Tin Plated over Nickel
- ⑥ Contact type: M = SMT Type
- ⑦ F = With Latch Type F
- ⑧ Other option:
A = Different Material(Tape&Reel Packing)
- ⑨ Process:
LF = For Lead Free soldering process

Lead Free Process
RoHS Compliant

④						DATE	UNIT: mm / inch	TITLE: 13.0mm PITCH For 17.2mm WIRE TO BOARD CONNECTOR (LOCK FA TYPE) MATERIAL: FINISH:	瀚荃股份有限公司 CviLux Corporation
③			DRAWN BY: Eager		10/15-07'	TOLERANCE UNLESS OTHERWISE SPECIFIED			
②	Eager	10/12-07'	ECN07421		ENGINEER: Easley	10/15-07'	.X ± 0.30/.012 X' ± r'		
①	Eager	08/22-07'	ECN07227		CHECKED BY: David	10/15-07'	.XX ± 0.20/.008 .X' ±		
SYM	NAME	DATE	REVISIONS		APPROVED BY: Alex	10/15-07'	.XXX ± 0.10/.004 .XX' ±		
DRAWING NO. CP0454SB			PART NO. CP042EP1MFA-LF			SCALE 4 / 1		SHEET 1 OF 1	