

Note:

Material: PBT+15%G.F. (F202G15)(No halogen)

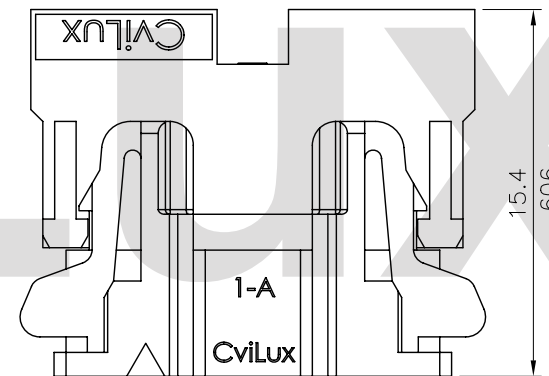
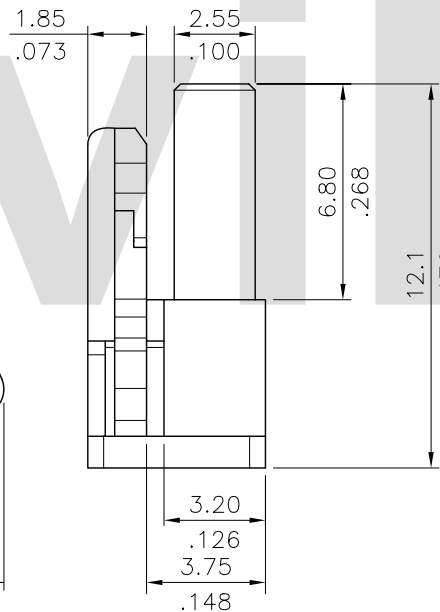
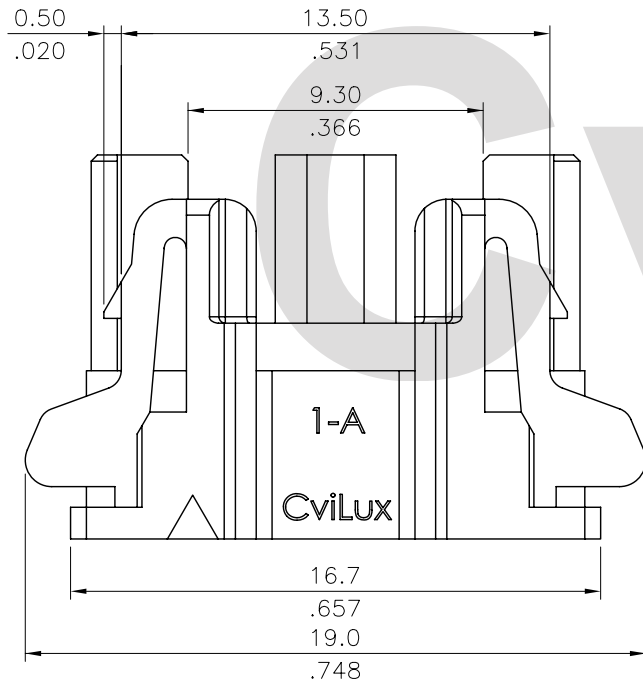
UL 94V-0 Color Nature

Only be used (P/N:CP05T021PE0) Crimp clip terminal

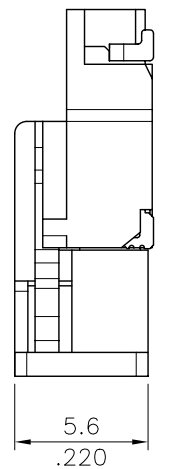
Ordering Code:

CP04 2E S FA 0 0  
 ① ② ③ ④ ⑤ ⑥

- ① Series No.
- ② No. of Circuits: 2E= 13.0mm
- ③ S= Connector Housing
- ④ FA= With Latch FA Type
- ⑤ Color option: 0= Color Nature
- ⑥ Other option: 0= Standard



Mating Condition



Halogen-Free

RoHS Compliant

④						DATE	UNIT: mm / inch	TITLE:	瀚荃股份有限公司 CviLux Corporation	
③			DRAWN BY:		Karen	8/21-08'	TOLERANCE	CP04 HOUSING(Lock FA Type)		
②	Karen	08/20-08'	ENGINEER:		Eisley	8/28-08'	UNLESS OTHERWISE SPECIFIED	MATERIAL:		
①	Eager	08/22-07'	CHECKED BY:		David	8/28-08'	.X ± 0.30/.012 X' ± r'	FINISH:		
SYM	NAME	DATE	APPROVED BY:		Alex	8/28-08'	.XX ± 0.20/.008 .X' ±	DRAWING NO.		CP0453SB
	REVISIONS					.XXX ± 0.10/.004 .XX' ±	SCALE	4 / 1	SHEET	1 OF 1