

Material:

Insulator: Nylon 6T with 30% G.F
UL 94V-0 Color Nature(Ivory)

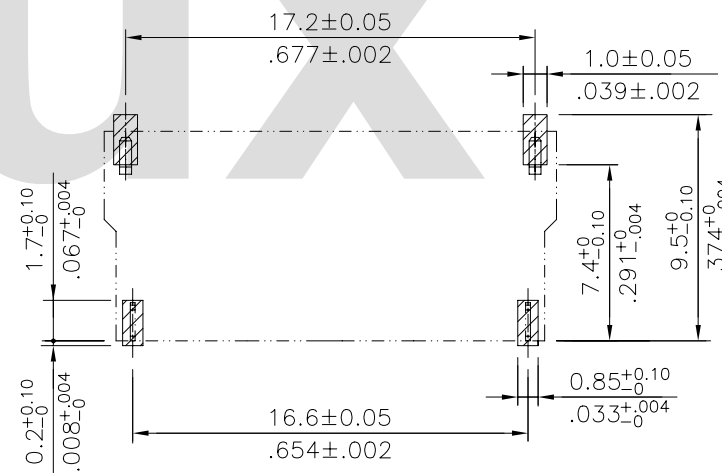
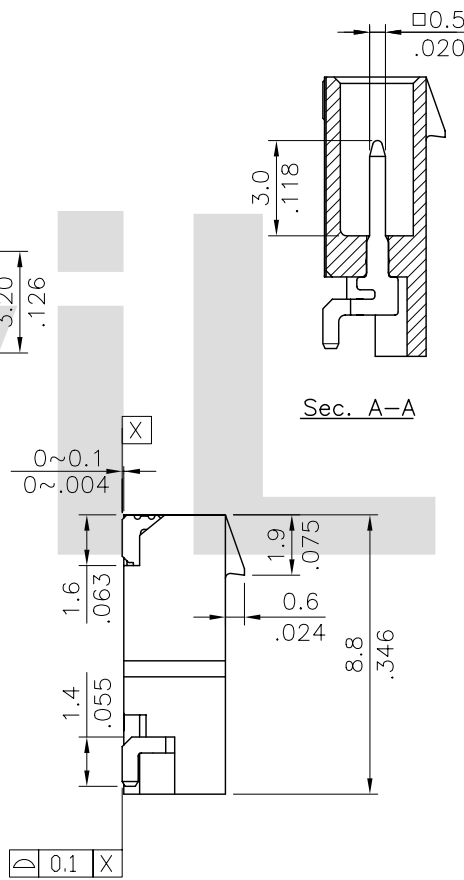
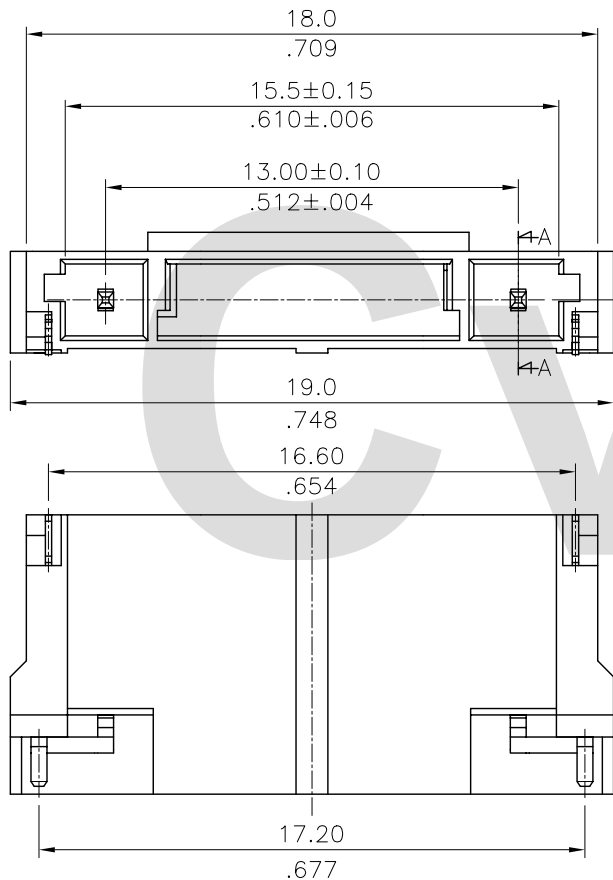
Contact: Brass

Tab: Brass

Ordering Code:

CP04 2 EP 1 MD 0 - LF
① ② ③ ④ ⑤ ⑥ ⑦ ⑧ ⑨

- ① Series No.
- ② Circuits: 2 Pin
- ③ Circuits pitch:
E= 13.0mm
- ④ P= Pin Header
- ⑤ Plating Code:
1= Matte Tin Plated over Nickel
- ⑥ Contact type: M= SMT Type
- ⑦ D= With Latch Type D
- ⑧ Other option:
0= Standard(Tape&Reel Packing)
- ⑨ Process:
LF= For Lead Free soldering process



Sold Pad Pattern

RoHS Compliant

CVILUX CORP.
2007.01.09
ISSUED

④					DATE	UNIT: mm / inch	TITLE: 13.0mm PITCH WIRE TO BOARD CONNECTOR (LOCK D TYPE)	瀚荃股份有限公司 CviLux Corporation	
③			DRAWN BY: Clark	01/05-07	TOLERANCE UNLESS OTHERWISE SPECIFIED	MATERIAL:			
②			ENGINEER: Easley	01/05-07	.X ± 0.30/.012 X' ± r'				
①			CHECKED BY: David	01/05-07	.XX ± 0.20/.008 .X' ±	FINISH:			
SYM	NAME	DATE	REVISIONS	APPROVED BY: Alex	01/05-07	.XXX ± 0.10/.004 .XX' ±	DRAWING NO. CP0433SA	PART NO. CP042EP1MD0-LF	
								SCALE 3 / 1	SHEET 1 OF 1