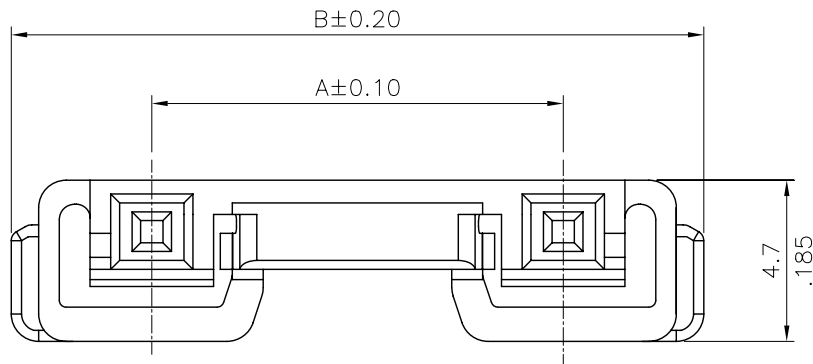


Material: Nylon 66 UL 94V-0 Color Nature

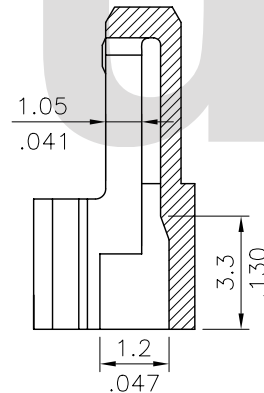
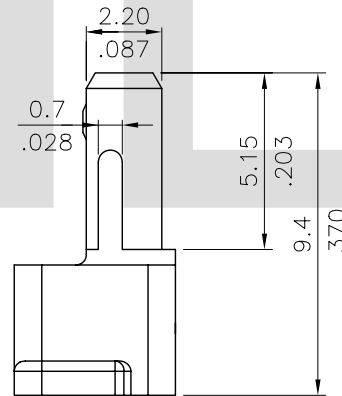
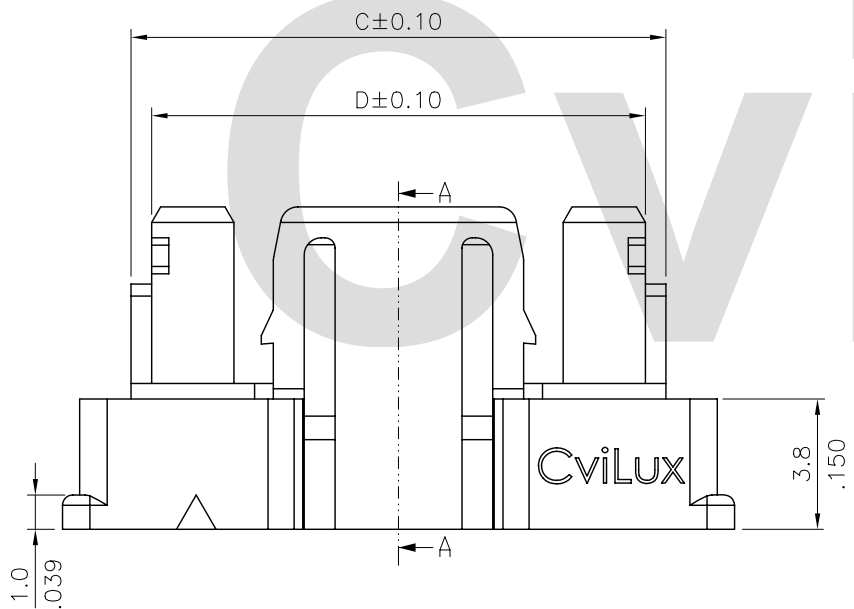


P/N	DIM. A	DIM. B	DIM. C	DIM. D
CP042CSC000	12.0(.472)	20.2(.795)	15.6(.614)	14.4(.472)
CP042DSC000	16.0(.630)	24.2(.953)	19.6(.772)	18.4(.724)
CP042ESC000	13.0(.512)	21.2(.835)	16.6(.654)	15.4(.606)

Ordering Code:

CP04 2* S C0 0 0
 ① ② ③ ④ ⑤ ⑥

- ① Series No.
- ② No. of Circuits: 2 PIN
C=12.0mm, D=16.0mm, E=13.0mm
- ③ S= Connector Housing
- ④ C0= With Latch Type C
- ⑤ Color option: 0= Color White(Standard)
- ⑥ Other option: 0= Color White(Standard)



A-A

RoHS Compliant

CVILUX CORP.
2006.10.24
ISSUED

SYM	NAME	DATE	REVISIONS	APPROVED BY:	DATE	UNIT: mm / inch	TITLE:	MATERIAL:			
4							CP04 HOUSING(Lock C Type)	CVILUX CORP.			
3				DRAWN BY: Eager	10/23-06'	TOLERANCE UNLESS OTHERWISE SPECIFIED		瀚荃股份有限公司			
2				ENGINEER: David	10/23-06'	.X ± 0.30/.012 X' ± r		CviLux Corporation			
1	Eager	10/23-06'	ECN06389	CHECKED BY: David	10/23-06'	.XX ± 0.20/.008 .X' ±		DRAWING NO.	CP0432SA	PART NO.	CP042*SC000
				APPROVED BY: Alex	10/23-06'	.XXX ± 0.10/.004 .XX' ±	FINISH:	SCALE	4 / 1	SHEET	1 OF 1