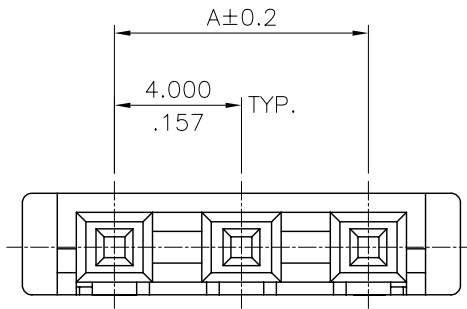


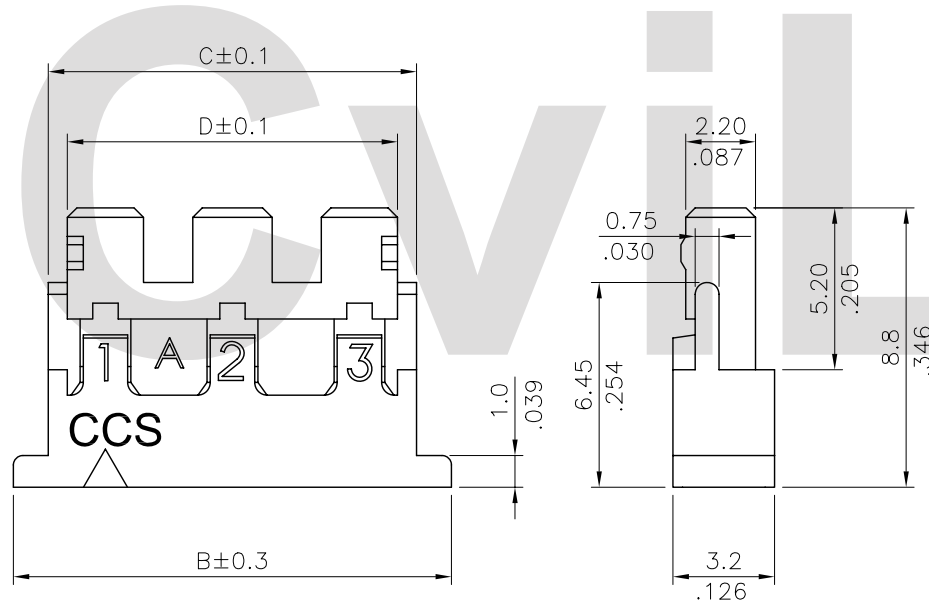


Material:

Insulator: Nylon 66 UL 94V-0



Circuits	Dim.A	Dim.B	Dim.C	Dim.D
2	4.00(.157)	9.8(.386)	7.6(.299)	6.40(.252)
3	8.00(.315)	13.8(.543)	11.6(.457)	10.40(.409)
4	12.00(.472)	17.8(.701)	15.6(.614)	14.40(.567)
5	16.00(.630)	21.8(.858)	19.6(.772)	18.40(.724)



Ordering Code:

CP04 03 S 0000
① ② ③ ④

- ① Series No.
- ② No. of Circuits: 2,3,4,5 PIN
- ③ S= Connector Housing
- ④ Other option: 0000= Color White(Standard)

SYM	NAME	DATE	REVISIONS	APPROVED BY:	DATE	UNIT: mm / inch	TITLE:	瀚荃股份有限公司 CviLux Corporation			
④						UNIT: mm / inch	4.0mm PITCH HOUSING				
③	Bill	8/27-07'	ECN07348	DRAWN BY: Bill	8/30-07'	TOLERANCE UNLESS OTHERWISE SPECIFIED	MATERIAL:				
②	Ethan	2/10-06'	ECN06032	ENGINEER: Eisley	9/3-07'	.X ± 0.30/.012 X' ± r'	FINISH:	SCALE	4 / 1	SHEET	1 OF 1
①	Ethan	12/27-05'	ECN05452	CHECKED BY: David	9/3-07'	.XX ± 0.20/.008 .X' ±					
				APPROVED BY: Alex	9/3-07'	.XXX ± 0.10/.004 .XX' ±					

