

△ Sold Pad Pattern

Circuits	Dimension			
	A	B	C	D
2	4.00	10.00	6.50	4.00
	8.00	14.00	10.50	8.00
	12.00	18.00	14.50	12.00
	16.00	22.00	18.50	16.00
3	4.00	14.00	10.50	8.00
	8.00	22.00	18.50	16.00
4	4.00	18.00	14.50	12.00
5	4.00	22.00	18.50	16.00

Material
Insulator: Nylon 6T + 30% G.F UL 94V-0
Color Nature(Ivory)

Contact: Brass
Tab: Brass

Ordering Code:

CP04 2 A P 1 M T 0
① ② ③ ④ ⑤ ⑥ ⑦ ⑧

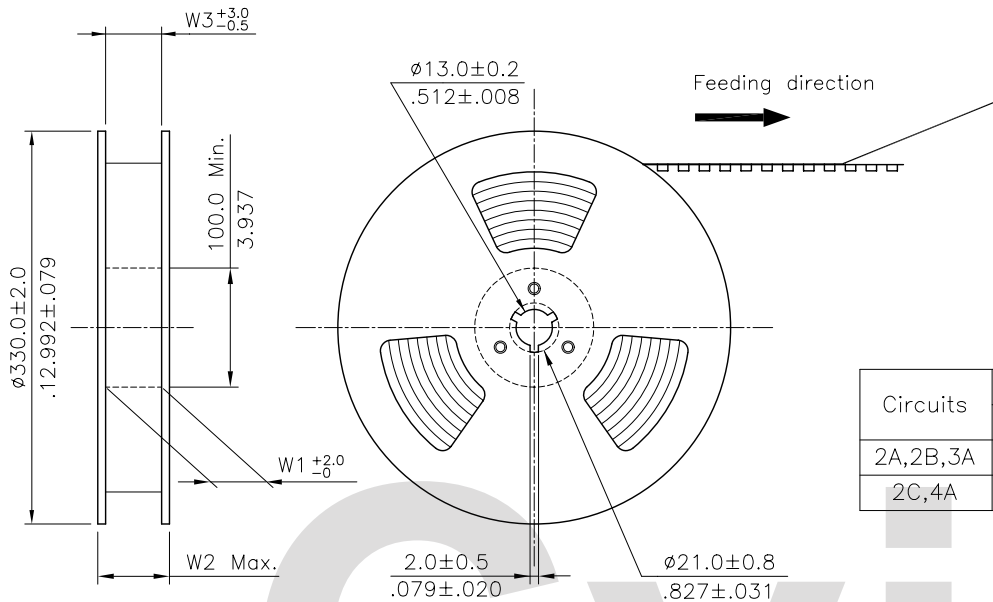
- ① Series No.
- ② Circuits: 2, 3, 4 & 5 Pin
- ③ Circuits pitch:
A= 4.0mm, B= 8.0mm,
C= 12.0mm, D=16.0mm
- ④ P= Pin Header
- ⑤ Plating Code:
1= Tin plated over Nickel
- ⑥ Contact type: M= SMT Type
- ⑦ Packing option: T= Tube Packing
R= Tape & Reel
- ⑧ Other option: 0= Standard

RoHS Compliant

SYMBOL	DESCRIPTION	DATE	REVISIONS	APPROVED BY	DATE	TITLE	UNIT	TOLERANCE	MATERIAL	FINISH	DRAWING NO.	PART NO.	SHEET
△5	SUN	8/18/06	ECN06289			4.0/8.0/12.0/16.0mm PITCH WIRE TO BOARD CONNECTOR	mm / inch				CP0401SH	CP04**P1M*0	1 OF 2
△4	SUN	11/22/05	ECN05398	DRAWN BY: Sandy	4/29-07'								
△3	SUN	6/09/05'	ECN05208	ENGINEER: Eisley	5/05-07'		.X ± 0.30/.012	X' ± r'					
△6	Sandy	4/29-07'	ECN07153	CHECKED BY: David	5/05-07'		.XX ± 0.20/.008	.X' ±					
				APPROVED BY: Alex	5/05-07'		.XXX ± 0.10/.004	.XX' ±					

CIVILUX CORP.
 2007.05.22
 ISSUED

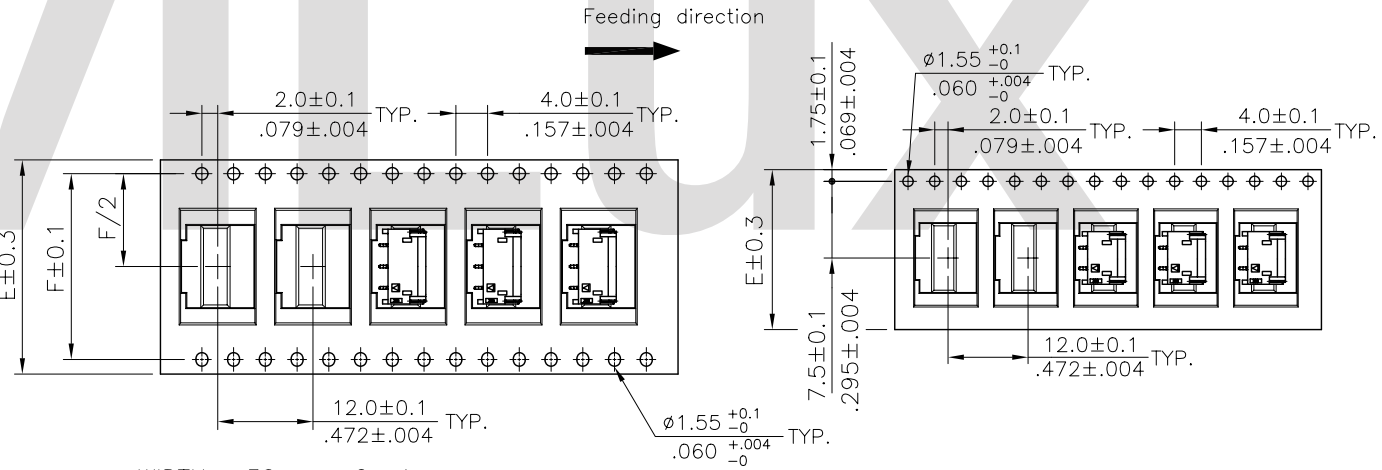
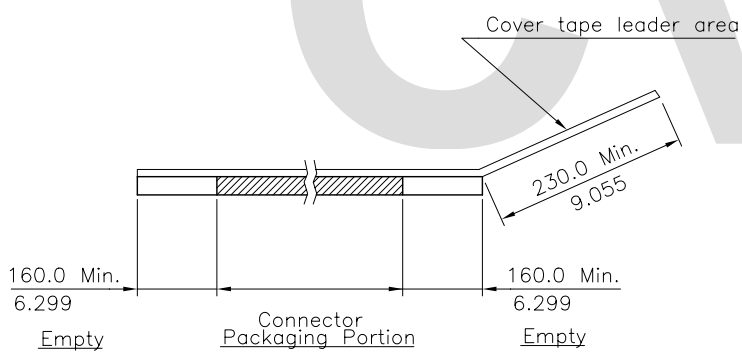
瀚荃股份有限公司
CviLux Corporation



NOTE :

- * Reel Material : HIPS
- * Carrier Material : Clear, Conductive Polystyrene Alloy
- * Cover Tape Material : Polyester
- * Cover Tape Peel Strength : 0.1N – 1.3N
- * Carrier camber is within 1mm in 100mm
- * All dimensions meet EIA-481-B requirements.
- * Quantity : 1000 PCS/Reel

Circuits	Dimension					Packing (Reel/Caton)
	E	F	W1	W2	W3	
2A,2B,3A	24.0(.945)	-	24.5(.965)	30.5(1.200)	24.5(.965)	9
2C,4A	32.0(1.260)	28.40(1.118)	32.5(1.280)	38.5(1.516)	32.5(1.280)	7



WIDTH : 32 mm Carrier

WIDTH : 24 mm Carrier

RoHS Compliant

SYM	NAME	DATE	REVISIONS	APPROVED BY:	DATE	UNIT: mm / inch	TITLE: 4.0/8.0/12.0/16.0mm PITCH WIRE TO BOARD CONNECTOR	瀚荃股份有限公司 CviLux Corporation				
5	SUN	8/18/06	ECN06289	DRAWN BY: Sandy ENGINEER: Eisley CHECKED BY: David APPROVED BY: Alex	4/29-07'	TOLERANCE UNLESS OTHERWISE SPECIFIED	MATERIAL:	DRAWING NO.	CP0401SH	PART NO.	CP04**P1M*0	
4	SUN	11/22/05	ECN05398		5/05-07'			.X ±	.X' ± 1'	SCALE		SHEET
3	SUN	6/09/05	ECN05208		5/05-07'	.XX ±	.X' ±	FINISH:				
6	Sandy	4/29-07'	ECN07153		5/05-07'	.XXX ±	.XX' ±					