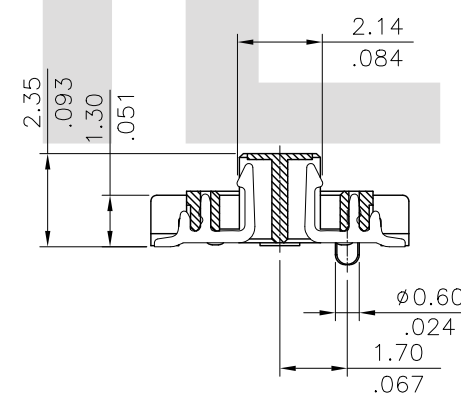
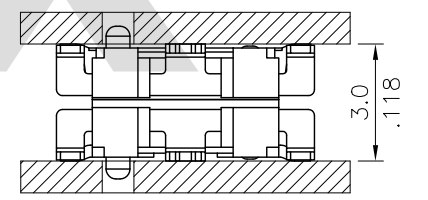


SEC.: X-X



SEC.: A-A



Mating High

Lead Free Process Halogen-Free RoHS compliant

4						DATE	UNIT: mm / inch	TITLE: 0.50mm(.020") Board To Board Plug Connector MATERIAL: FINISH:	瀚荃股份有限公司 CviLux Corporation
3			DRAWN BY: Clark		12/30-11'	TOLERANCE UNLESS OTHERWISE SPECIFIED	.X ± 0.30/.012 X' ± 1"		
2			ENGINEER: Eisley		1/2-12'	.XX ± 0.20/.008 .X' ±			
1	Clark	12/20-11	ECN11282		CHECKED BY: David	1/2-12'	.XXX ± 0.10/.004 .XX' ±		
SYM	NAME	DATE	REVISIONS	APPROVED BY: David	1/2-12'				DRAWING NO. CBRE04SA PART NO. CBRE030PA2PP1R0-NH SCALE 5 / 1 SHEET 1 OF 3

Material:

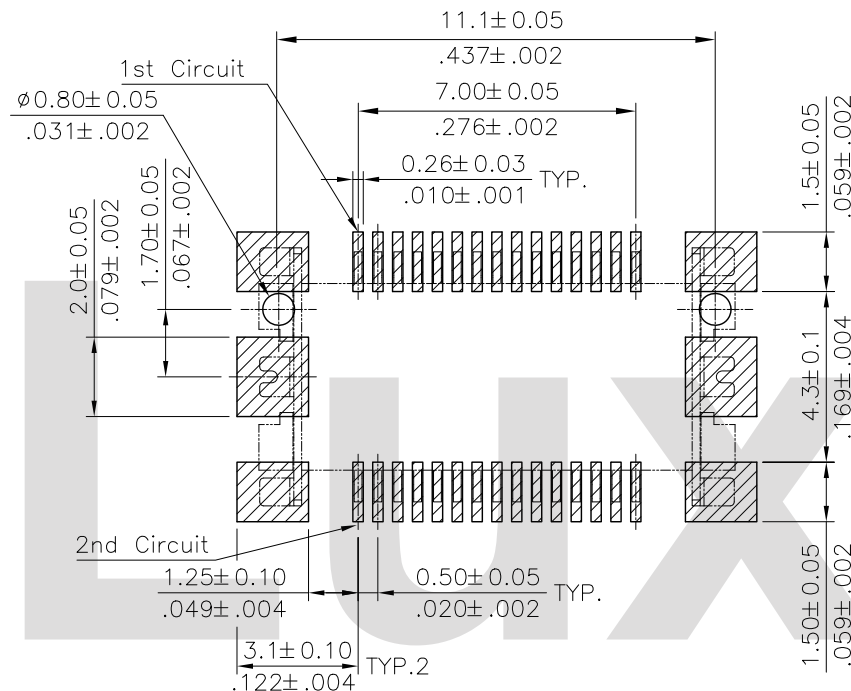
- * Insulation:
High Temperature Plastic, UL94V-0
Color Nature
- * Contact: Phosphor Bronze
- * Fixed tab: Brass with Gold flash plated
over 1.27um(50u") Nickel

Ordering Code:

CBRE 030 P A 2 F P1 R 0 -NH

① ② ③ ④ ⑤ ⑥ ⑦ ⑧ ⑨ ⑩

- ① Series No.
- ② No. of Contact: 30 PIN
- ③ Connector Type: P = Plug
- ④ Height: A = 2.35mm
- ⑤ Plating code:
2 = Gold flash plated over
1.27um(50u") Nickel
- ⑥ Fixed Tab Option:
F = With Fixed Tabs
- ⑦ Pegs Option: P1 = With Pegs
- ⑧ Packing Option: R = Tape & Reel
- ⑨ Other Option: 0 = Standard
- ⑩ -NH = For Lead Free IR Processes
and Halogen-Free



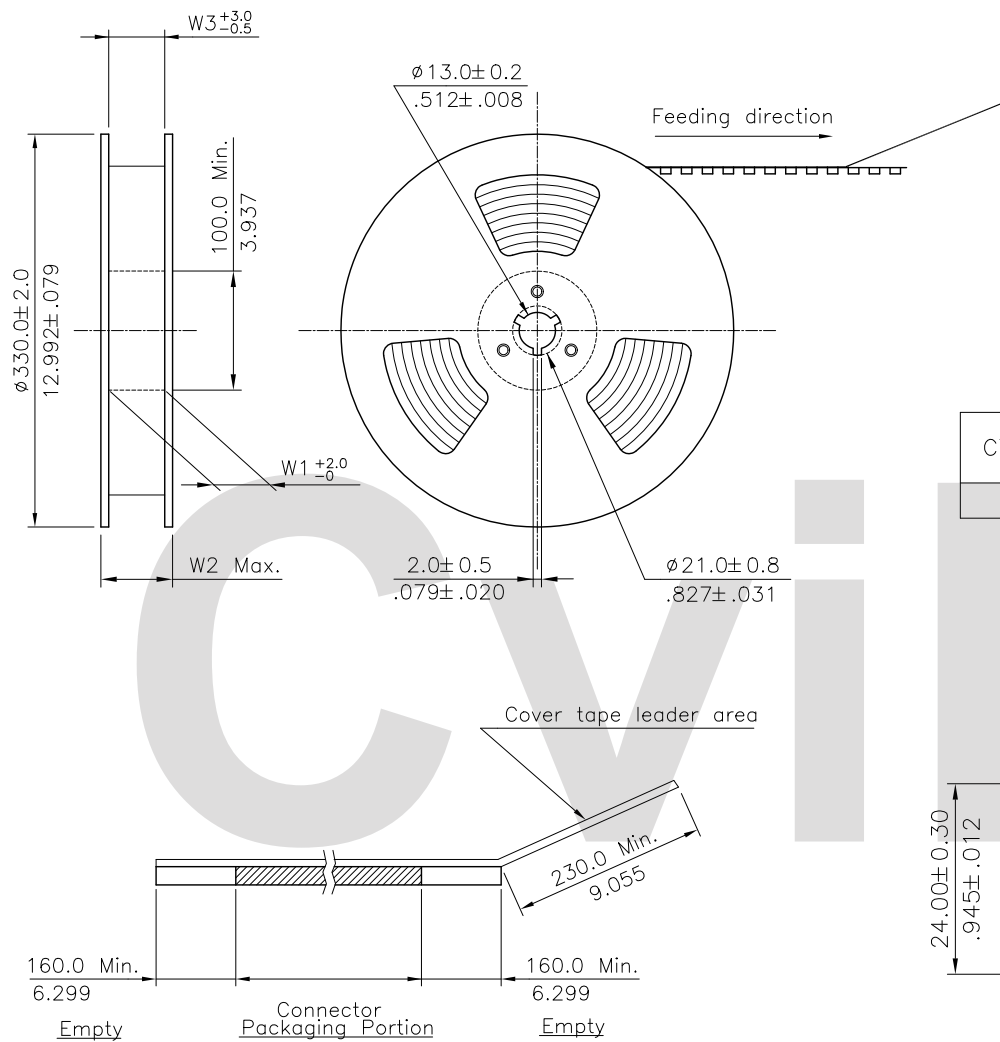
Sold Pad Pattern

Lead Free Process

Halogen-Free

RoHS Compliant

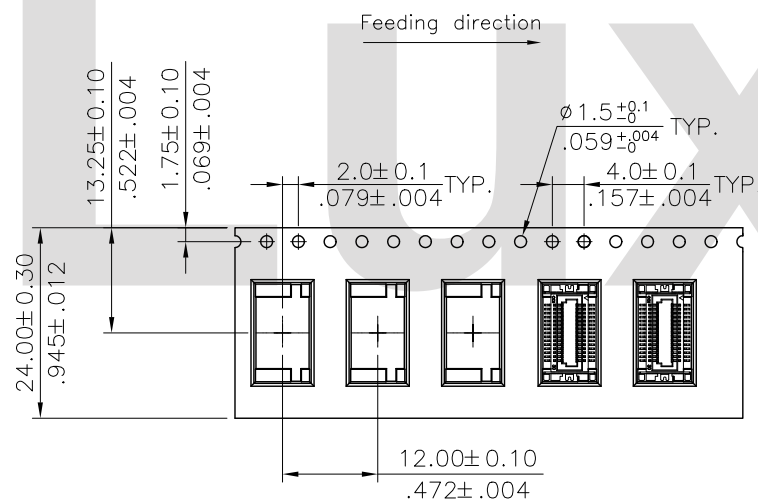
4						DATE	UNIT: mm / inch	TITLE: 0.50mm(.020") Board To Board Plug Connector	 瀚荃股份有限公司 CviLux Corporation	
3			DRAWN BY: Clark		12/30-11'	TOLERANCE UNLESS OTHERWISE SPECIFIED				
2			ENGINEER: Eisley		1/2-12'	.X ± 0.30/.012 X' ± 1"	MATERIAL:			
1	Clark	12/20-11	ECN11282		CHECKED BY: David	1/2-12'	.XX ± 0.20/.008 X' ±	FINISH:	DRAWING NO. CBRE04SA	PART NO. CBRE030PA2FP1R0-NH
SYM	NAME	DATE	REVISIONS	APPROVED BY: David	1/2-12'	.XXX ± 0.10/.004 X' ±		SCALE	5 / 1	SHEET 2 OF 3



NOTE :

- * Reel Material : Corrugated Paper
- * Carrier Material : Clear, Conductive Polystyrene Alloy
- * Cover Tape Material : Polyester
- * Cover Tape Peel Strength : 0.1N – 1.3N
- * Carrier camber is within 1mm in 100mm
- * All dimensions meet EIA-481-2 & EIA-481-3 requirements.
- * Quantity : 1300 PCS/Reel

Circuits	Dimension			Packing (Reel/Caton)
	W1	W2	W3	
30	24.5(.965)	30.5(1.200)	24.5(.965)	9



WIDTH : 24 mm Carrier

RoHS Compliant

SYM	NAME	DATE	REVISIONS	APPROVED BY:	DATE	UNIT: mm / inch	TOLERANCE UNLESS OTHERWISE SPECIFIED	TITLE:	DRAWING NO.	PART NO.	SHEET	OF	3
4								0.80mm(.031") Board To Board Plug Connector	CBRE04SA	CBRE030PA2FP1R0-NH	3	OF	3
3													
2													
1	Clark	12/20-11	ECN11282	David	1/2-12'	.X ±	.X' ± 1"						
				David	1/2-12'	.XX ±	.X' ±						

