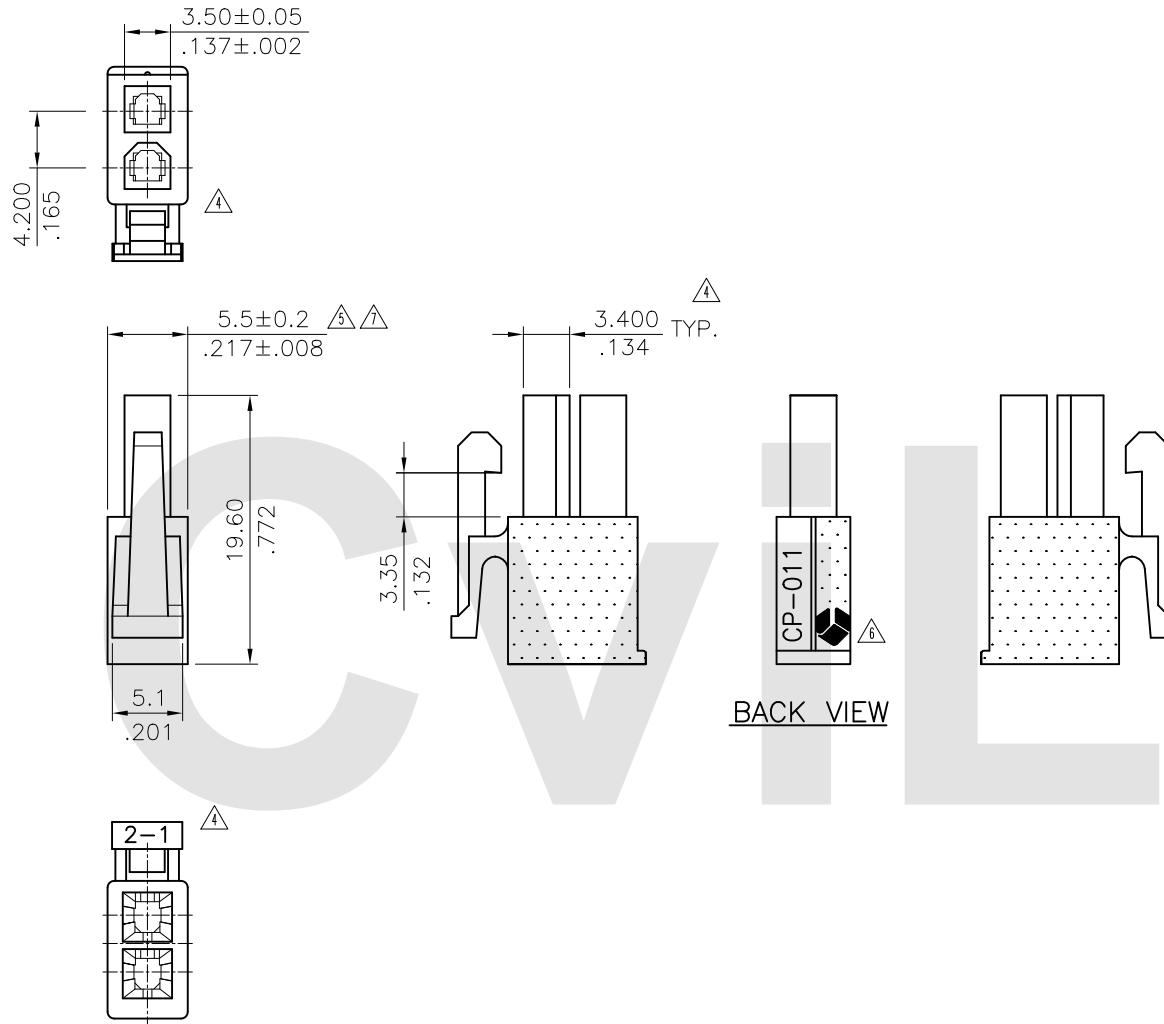


Material:

* Insulation: Nylon 66



Ordering Code

CP-01 1 02 0 1 0
 ① ② ③ ④ ⑤ ⑥

- ① Series No.
- ② Contact type: 1= Receptacle
- ③ No of Circuits: 02
- ④ Plating: 0= Non-Plating
- ⑤ Variation:
 1= UL 94V-2
 3= UL 94V-0
- ⑥ Color option:
 0= Color Nature ; 1= Color Black
 3= Color Red ; 7= Color Blue

RoHS Compliant

⑦	Sun	7/09-15'	ECRB115034/ECNT115163		DATE	UNIT: mm / inch	TITLE:	瀚荃股份有限公司 CviLux Corporation		
⑥	Sun	8/23-11'	ECR11045-1/ECN11189	DRAWN BY:	Sun	7/09-15'	RECEPTACLE POWER CONNECTOR			
⑤	Karen	9/03/08'	ECN08421/ECR08070-0	ENGINEER:	Sun	7/09-15'	MATERIAL:	DRAWING NO. CP0187SG PART NO. CP-011020** SCALE 2 / 1 SHEET 1 OF 1		
④	Sandy	10/11-07'	ECN07305/ECR07053-1	CHECKED BY:	Eisley	7/13-15'	FINISH:			
SYM	NAME	DATE	REVISIONS	APPROVED BY:	Eisley	7/13-15'				

CIVILUX CORP
 2015.07.16
 ISSUED