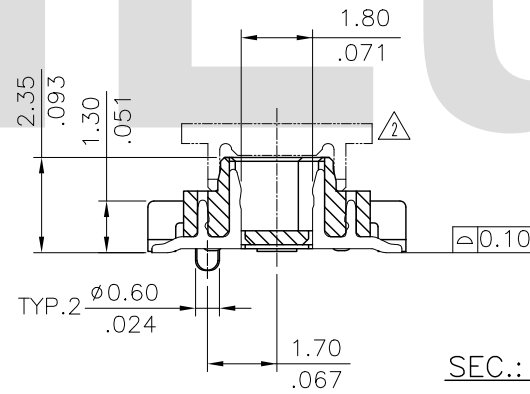
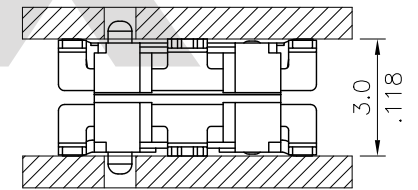


SEC.: X-X





SEC.: A-A



Mating High

Lead Free Process Halogen-Free RoHS compliant

4					DATE	UNIT: mm / inch	TITLE: 0.50mm(.020") Board To Board Receptacle Connector	 瀚荃股份有限公司 CviLux Corporation
3				DRAWN BY: Steven	1/10-11'	TOLERANCE UNLESS OTHERWISE SPECIFIED	MATERIAL:	
2	Steven	1/10-12'	ECN12007/ECR11092-0	ENGINEER: Clark	1/10-11'	.X ± 0.30/.012 .X' ± 1"		
1	Clark	12/20-11	ECN11282	CHECKED BY: David	1/10-11'	.XX ± 0.20/.008 .X' ±	DRAWING NO. CBRE03SB PART NO. CBRE030SA2FP1R0-NH	
SYM	NAME	DATE	REVISIONS	APPROVED BY: David	1/10-11'	.XXX ± 0.10/.004 .XX' ±	SCALE 5 / 1	SHEET 1 OF 3


 2012.01.11
 ISSUED

