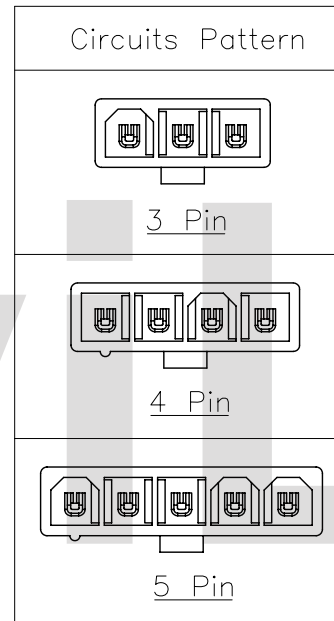
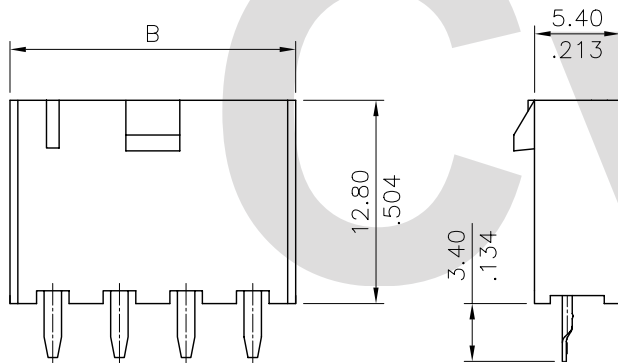


Material:
 * Insulation: Nylon 66, Color Nature
 * Contact: Brass

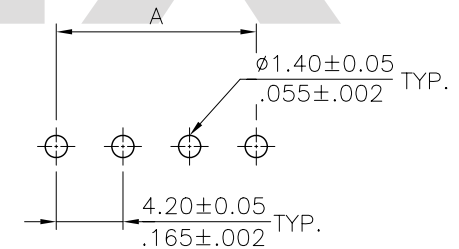


Circuits	Dimension	
	A	B
3	8.4(.331)	13.8(.543)
4	12.6(.496)	18.0(.709)
5	16.8(.661)	22.2(.874)

Ordering Code:

CP-01 ③ ** * * S
 ① ② ③ ④ ⑤ ⑥

- ① Series No.
- ② Type of Connector:
3= Straight PCB mount header
- ③ No of Circuits:
- ④ Plating Code:
1= 2.54μm(100μ") Tin over 1.02μm(40μ") Nickel
2= Gold flash plated over 1.27μm(50μ") Nickel
B= Selective 0.38μm(15μ") gold plated over 1.27μm(50μ") Nickel
C= Selective 0.76μm(30μ") gold plated over 1.27μm(50μ") Nickel
- ⑤ Variation:
1= UL 94V-2, Without mounting pegs
With Drain holes
3= UL 94V-0, Without mounting pegs
With Drain holes
6= UL 94V-2, Without mounting pegs
Without Drain holes
7= UL 94V-0, Without mounting pegs
Without Drain holes
- ⑥ S= Single Row Header



Recommended P.C. Board Layout

RoHS Compliant

CVILUX.XORP
 2008.09.23
 ISSUED

SYM	NAME	DATE	REVISIONS	APPROVED BY:	DATE	UNIT: mm / inch	TOLERANCE UNLESS OTHERWISE SPECIFIED	TITLE: STRAIGHT HEADER CP-01 POWER CONNECTOR	MATERIAL:	FINISH:	DRAWING NO. CP0159AE	PART NO. CP-013**1*S	SCALE 3 / 1	SHEET 1 OF 1
④	Sandy	9/19-08'	ECN08463											
③	Sandy	5/12-08'	ECN08219	DRAWN BY:	Sandy	9/19-08'								
②	Hank	1/14 08'	ECN08022	ENGINEER:	Eisley	9/19-08'	.X ± 0.38/.015 X' ± r'							
①	Hank	10/4 07'	ECN07412	CHECKED BY:	Alex	9/19-08'	.XX ± 0.25/.010 .X' ±							
				APPROVED BY:	Alex	9/19-08'	.XXX ± 0.10/.004 .XX' ±							

瀚荃股份有限公司
 CviLux Corporation