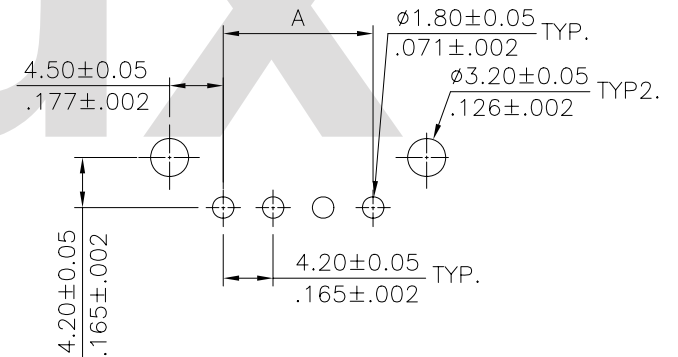
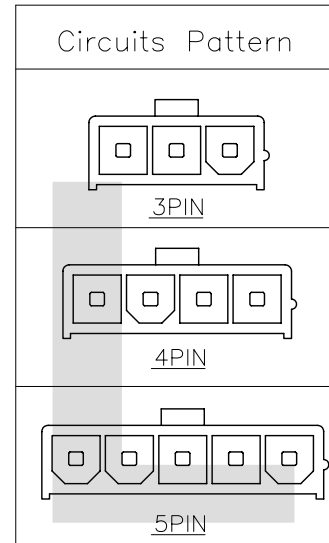
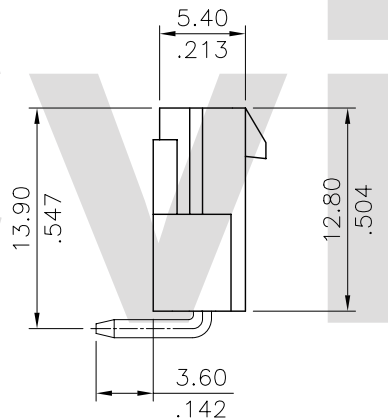
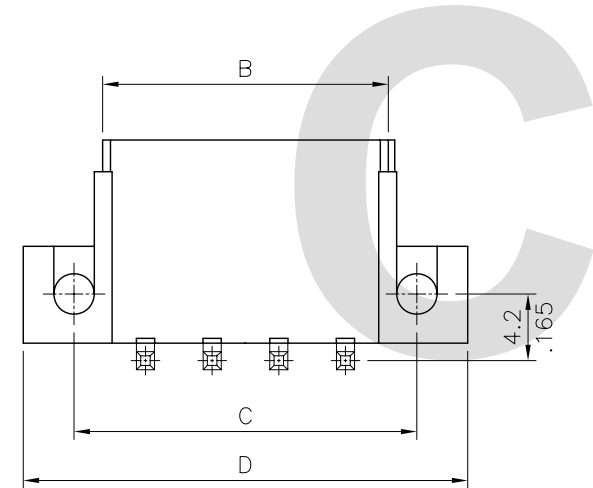


Material: Nylon 66 , Color Nature
 * Insulation: Nylon 66 , Color Nature
 * Contact: Brass

Ordering Code:

CP-01 4 ** 1 * S
 ① ② ③ ④ ⑤ ⑥

- ① Series No.
- ② Type of Connector:
4= Right angle PCB mount header
- ③ No of Circuits:
- ④ Plating Code: 1= Tin over Nickel
2= Gold flash, plated over Nickel
3= 0.38μm(15μ") Gold plated over 1.27μm(50μ") Nickel
4= 0.76μm(30μ") Gold plated over 1.27μm(50μ") Nickel
- ⑤ Variation: 0= UL 94V-2, With mounting ears
2= UL 94V-0, With mounting ears
- ⑥ S= Single Row Header



Recommended P.C. Board Layout

Circuits	Dimension			
	A	B	C	D
3	8.4(.331)	13.8(.543)	17.4(.685)	23.8(.937)
4	12.6(.496)	18.0(.709)	21.6(.850)	28.0(1.102)
5	16.8(.661)	22.2(.874)	25.8(1.016)	32.2(1.268)

RoHS Compliant

CVILUX.XORP
 2008.09.23
 ISSUED

SYM	NAME	DATE	REVISIONS	APPROVED BY:	DATE	UNIT: mm / inch	TITLE: RIGHT ANGLE HEADER CP-01 POWER CONNECTOR	MATERIAL:	FINISH:	DRAWING NO. CP0156AB	PART NO. CP-014**10S CP-014**12S	SCALE 3 / 1	SHEET 1 OF 1
④													
③				DRAWN BY: Sandy	9/19-08'	TOLERANCE UNLESS OTHERWISE SPECIFIED							
②				ENGINEER: Eisley	9/19-08'	.X ± 0.38/.015 X' ± r'							
①	Sandy	9/19-08'	ECN08463	CHECKED BY: Alex	9/19-08'	.XX ± 0.25/.010 .X' ±							
				APPROVED BY: Alex	9/19-08'	.XXX ± 0.10/.004 .XX' ±							

瀚荃股份有限公司
 CviLux Corporation