

Material & Finish :

* Insulation: Nylon 66, Color Nature

* Contact: Brass

Circuit Pattern Schedule:

See Drawing No: CP0111S*

Ordering Code:

CP-01 4 ** 1 E 0
 ① ② ③ ④ ⑤ ⑥

① Series No.

② Type of Connector:

4= Right angle PCB mount header

③ No of Circuits:

④ Plating Code: 1= Tin plated over Nickel

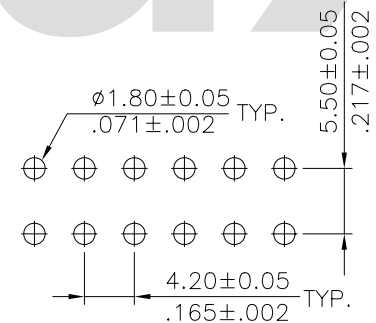
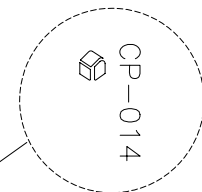
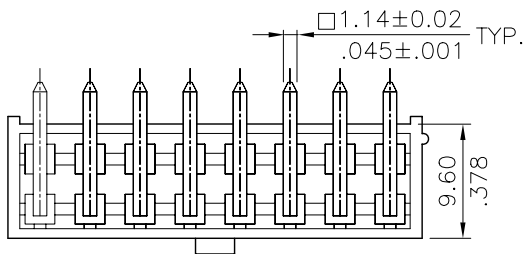
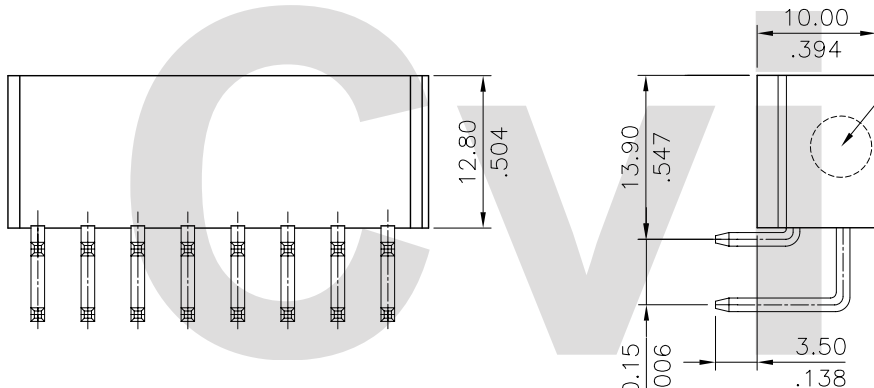
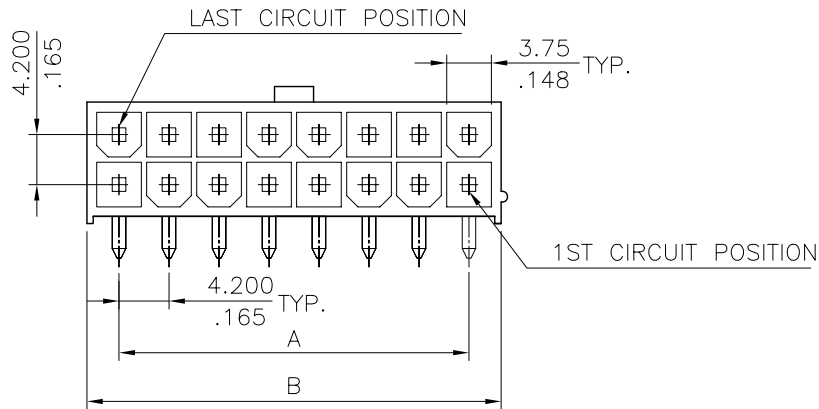
2= Gold flash plated over
 0.76 μ m(30 μ) Nickel

3= 0.38 μ m(15 μ) Gold plated
 over 1.27 μ m(50 μ) Nickel

⑤ Variation:

E= UL 94V-2, Without mounting ears
 (Glow wire available)


⑥ Option: 0= Standard



Recommended P.C. Board Layout

RoHS Compliant

CVILUX CORP.
2007.07.10
ISSUED

4					DATE	UNIT: mm / inch	TITLE: RIGHT ANGLE HEADER CP-01 POWER CONNECTOR	 瀚荃股份有限公司 CviLux Corporation		
3				DRAWN BY: Sandy	7/06-07'	TOLERANCE UNLESS OTHERWISE SPECIFIED				
2				ENGINEER: Eisley	7/06-07'	.X ± 0.38/.015 X' ± r'	MATERIAL:	DRAWING NO. CP0154AA	PART NO. CP-014***EO	
1				CHECKED BY: David	7/06-07'	.XX ± 0.25/.010 .X' ±	FINISH:	SCALE 2 / 1	SHEET 1 OF 1	
SYM	NAME	DATE	REVISIONS	APPROVED BY: David	7/06-07'	.XXX ± 0.10/.004 .XX' ±				