

Material & Finish :

* Insulation: Nylon 66, Color Nature

* Contact: Brass

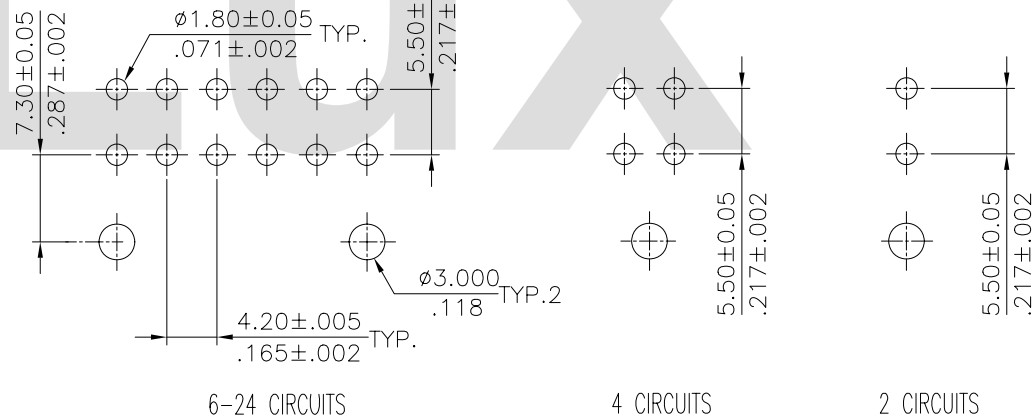
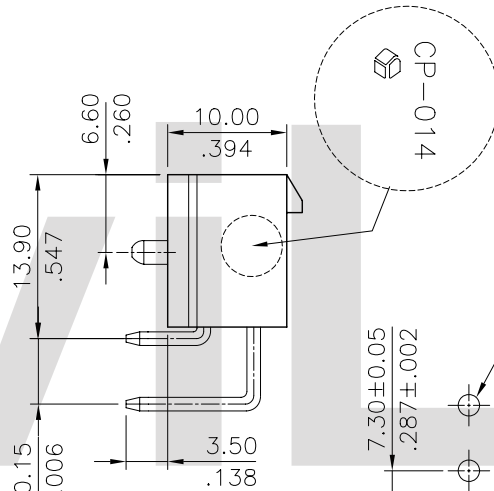
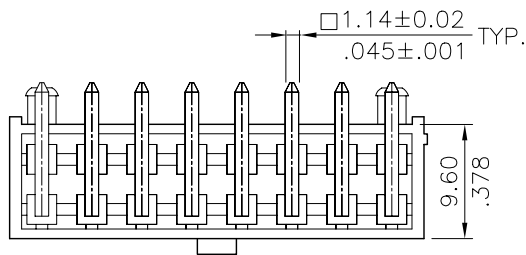
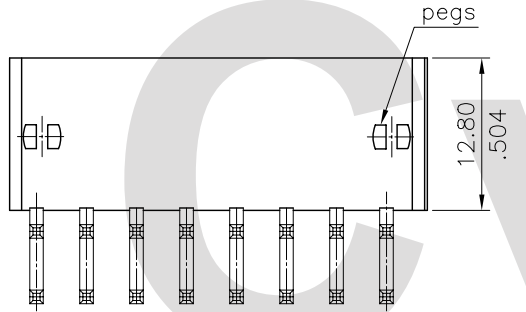
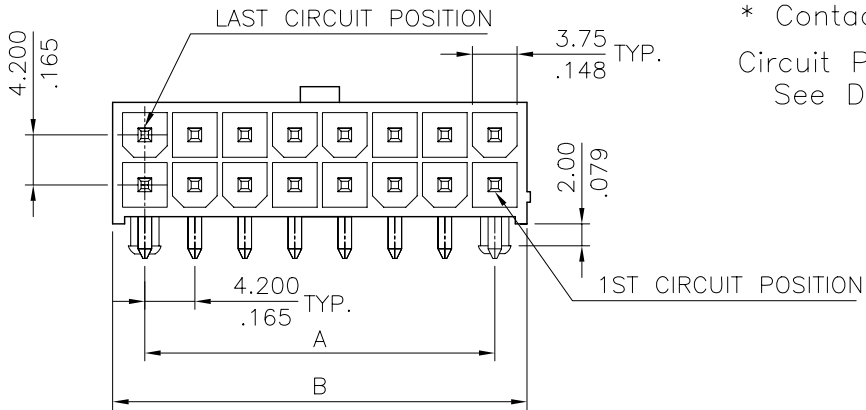
Circuit Pattern Schedule:

See Drawing No: CP0111S*

Ordering Code:

CP-01 4 ** * G 0
 ① ② ③ ④ ⑤ ⑥

- ① Series No.
- ② Type of Connector:
4= Right angle PCB mount header
- ③ No of Circuits:
- ④ Plating Code:
1= Tin over Nickel
2= Gold flash plated over Nickel
3= 0.38μm(15μ") Gold plated over 1.27μm(50μ") Nickel
4= 0.76μm(30μ") Gold plated over 1.27μm(50μ") Nickel
- ⑤ Variation:
G= UL 94V-2, With mounting pegs (Glow wire available)
- ⑥ Option: 0= Standard



Recommended P.C. Board layout

RoHS Compliant

CVILUX CORP.
 2007.07.10
 ISSUED

④					DATE	UNIT: mm / inch	TITLE: RIGHT ANGLE HEADER	瀚荃股份有限公司 CviLux Corporation
③				DRAWN BY: Sandy	7/06-07'	TOLERANCE UNLESS OTHERWISE SPECIFIED	CP-01 POWER CONNECTOR	
②				ENGINEER: Eisley	7/06-07'	.X ± 0.38/.015 X' ± r'	MATERIAL:	
①				CHECKED BY: David	7/06-07'	.XX ± 0.25/.010 .X' ±	FINISH:	
SYM	NAME	DATE	REVISIONS	APPROVED BY: David	7/06-07'	.XXX ± 0.10/.004 .XX' ±	DRAWING NO. CP0153AA	PART NO. CP-014***GO
							SCALE 2 / 1	SHEET 1 OF 1