

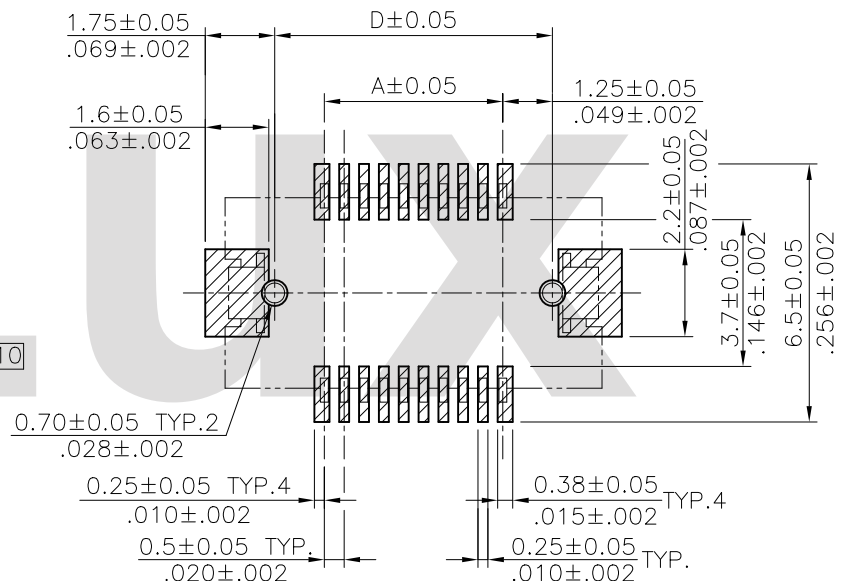
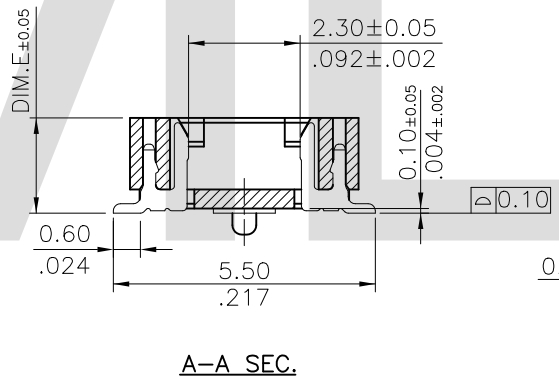
Ordering Code

CBRB 020 S A 2 F P1 R P -NH
 ① ② ③ ④ ⑤ ⑥ ⑦ ⑧ ⑨ ⑩

- ① Series No.
- ② No. of Circuits
- ③ Connector Type: S=Receptacle
- ④ Height:
 A: Dim.E= 2.0mm; B: Dim.E= 2.5mm
 C: Dim.E= 3.0mm
- ⑤ Plating code:
 2= 0.05um(2.0u") Min. Gold Flash
 Plating on Contact area and
 Solder tails, 1.27um(50u") Nickel
 Underplating over all
- ⑥ Fixed Tab option:
 0= Without Fixed Tabs
 F= With Fixed Tabs

Material:

- * Insulation:
 Glass filled Polyamide UL 94V-0
 Color Black
- * Contact: Copper alloy, t=0.2mm
- * Fixed Tab: Brass, t=0.2mm
- * Tab plating : 120u" min. Matte Tin Plated
 over 50u"min. Nickel
- ⑦ Pegs Option:
 00= Without Pegs
 P1= With Pegs
- ⑧ Packing Option:
 R= Tape & Reel
- ⑨ Other option code:
 P= Without PAD
- ⑩ -NH= For Lead Free IR Processes
 and Halogen-Free

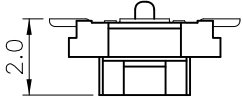
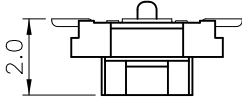
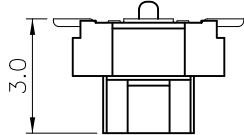
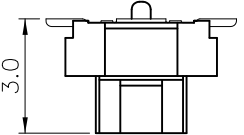
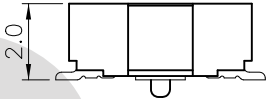
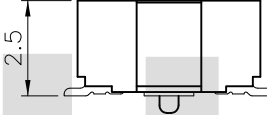
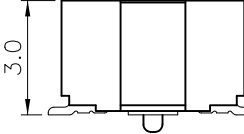
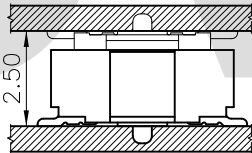
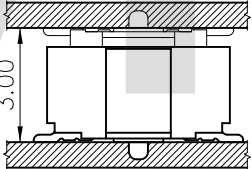
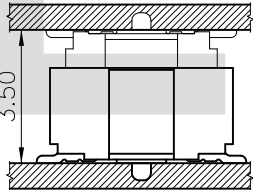
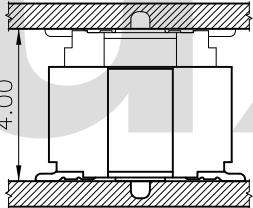


DIM.A = 0.50 * No. of Spaces
 DIM.B = DIM.A + 5.0
 DIM.C = DIM.A + 2.0
 DIM.D = DIM.A + 2.5
 * Available in 10 through 80 circuits

Halogen-Free Lead Free Process RoHS compliant

④					DATE	UNIT: mm / inch	TITLE:	瀚荃股份有限公司 CviLux Corporation	
③				DRAWN BY: Sandy	7/15-14'	TOLERANCE UNLESS OTHERWISE SPECIFIED	0.50mm(.002") Board To Board Receptacle Connector		
②				ENGINEER: Sun	7/16-14'	.X ± 0.30/.012 .X' ± 1'	CUSTOMER: BVI0541		
①	Sandy	7/10-14'	ECNT114140	CHECKED BY: Eisley	7/18-14'	.XX ± 0.20/.008 .X' ±			
SYM	NAME	DATE	REVISIONS	APPROVED BY: Eisley	7/18-14'	.XXX ± 0.10/.004 .XX' ±	DRAWING NO. CBRB37SB	PART NO. CBRB***S*2***RP-NH	
								SCALE 6 / 1	SHEET 1 OF 3


CIVILUX CORP
 2014.07.25
 ISSUED

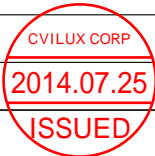
Male	CBRB***PA*FP1R0-NH 	CBRB***PA*FP1R0-NH 	CBRB***PC*FP1R0-NH 	CBRB***PC*FP1R0-NH 
Female	CBRB***SA*FP1RP-NH 	CBRB***SB*FP1RP-NH 		CBRB***SC*FP1RP-NH 
Mating Height				

Halogen-Free

Lead Free Process

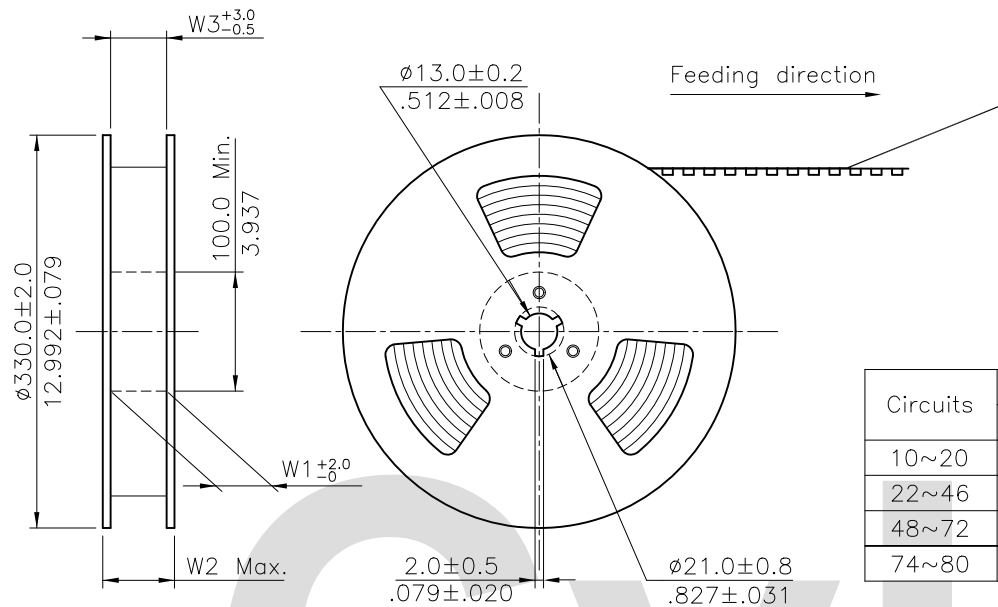
RoHS compliant

4					DATE	UNIT: mm / inch	TITLE: 0.50mm(.002") Board To Board Receptacle Connector (For Mating height 2.5/3.0/3.5/ 4.0/4.5/5.0mm)	 瀚荃股份有限公司 CviLux Corporation	DRAWING NO.	CBRB37SB	PART NO.	CBRB***S*2***RP-NH	
3				DRAWN BY: Sandy	7/15-14'	TOLERANCE UNLESS OTHERWISE SPECIFIED			CUSTOMER:	SCALE	6 / 1	SHEET	2 OF 3
2				ENGINEER: Sun	7/16-14'	.X ± 0.30/.012 X' ± 1'			BVI0541	6 / 1	2 OF 3		
1	Sandy	7/10-14'	ECNT114140	CHECKED BY: Eisley	7/18-14'	.XX ± 0.20/.008 X' ±							
SYMBOL	NAME	DATE	REVISIONS	APPROVED BY: Eisley	7/18-14'	.XXX ± 0.10/.004 .XX' ±							

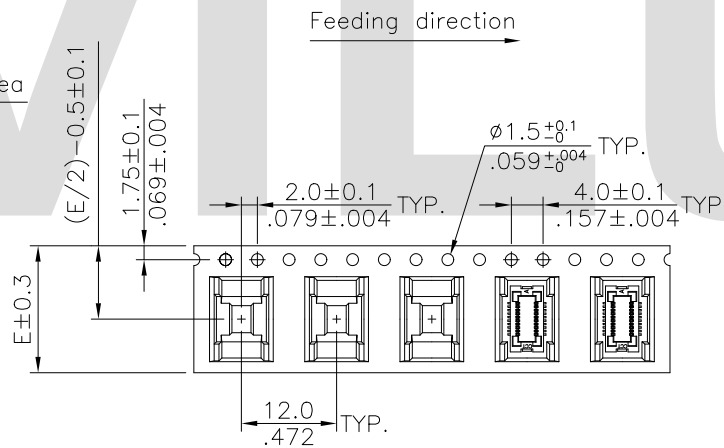
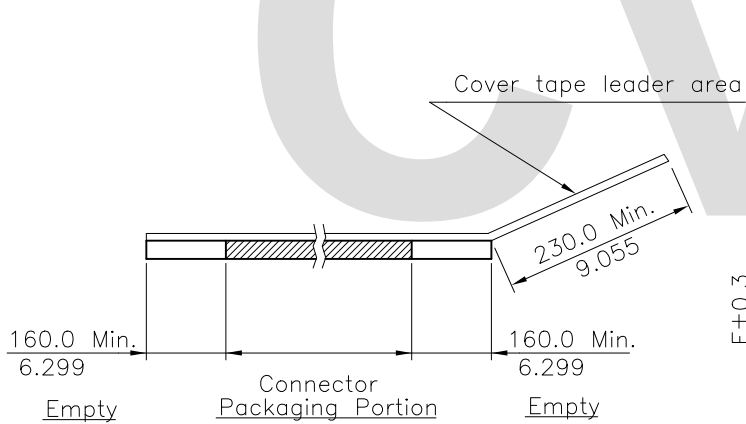


NOTE :

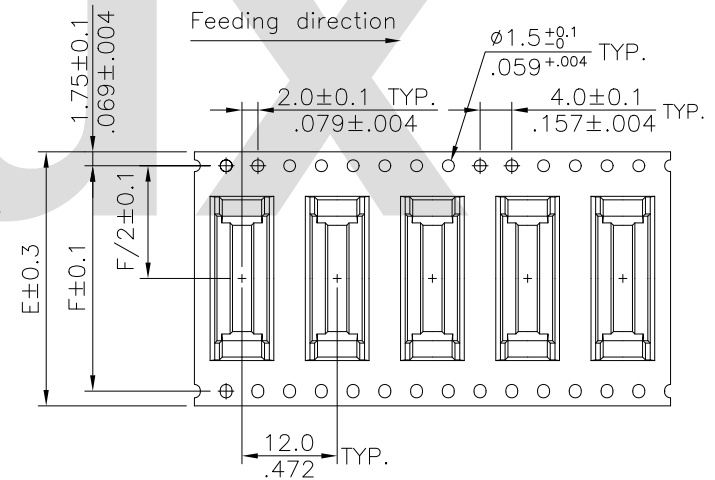
- * Reel Material : Corrugated Paper
- * Carrier Material : Clear, Conductive Polystyrene Alloy
- * Cover Tape Material : Polyester
- * Cover Tape Peel Strength : 0.1N - 1.3N
- * Carrier camber is within 1mm in 100mm
- * All dimensions meet EIA-481-2 & EIA-481-3 requirements.
- * Quantity : 1500 PCS/Reel (CBRB0**SA*F**P-NH)
- * Quantity : 1000 PCS/Reel (CBRB0**SB/C*F**P-NH)



Circuits	Dimension					Packing (Reel/Caton)
	E	F	W1	W2	W3	
10~20	16.0(.630)	-	16.5(.650)	22.5(.886)	16.5(.650)	11
22~46	24.0(.945)	-	24.5(.965)	30.5(1.200)	24.5(.965)	9
48~72	32.0(1.260)	28.40(1.118)	32.5(1.280)	38.5(1.516)	32.5(1.280)	7
74~80	44.0(1.732)	40.40(1.591)	44.5(1.752)	50.5(1.988)	44.5(1.752)	5



WIDTH : 16.24 mm Carrier



WIDTH : 32.44 mm Carrier

RoHS Compliant

REV	SYMBOL	DATE	DESCRIPTION	APPROVED BY	DATE	UNIT	TITLE	DRAWING NO. CBRB37SB PART NO. CBRB***S*2***RP-NH		
4						mm / inch	0.50mm(.002") Board To Board Receptacle Connector	瀚荃股份有限公司 CviLux Corporation		
3						TOLERANCE UNLESS OTHERWISE SPECIFIED				
2						.X ± .X' ± 1'				
1	Sandy	7/10-14'	ECNT114140	Eisley	7/18-14'	.XX ± .X' ±				
	SYM	NAME	REVISIONS	APPROVED BY	DATE		CUSTOMER: BVI0541	SCALE	SHEET 3 OF 3	

CIVILUX CORP
 2014.07.25
 ISSUED