

Material:

\* Insulation: Nylon 66, Color Nature

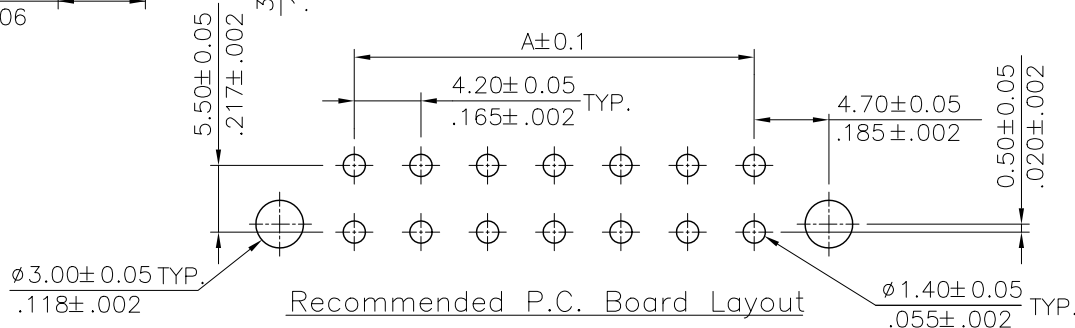
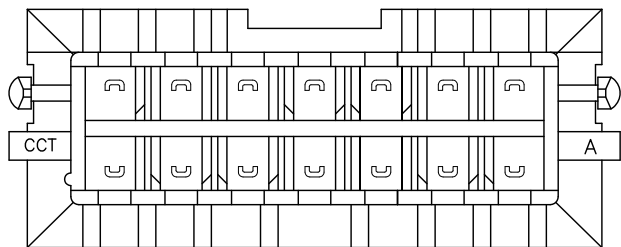
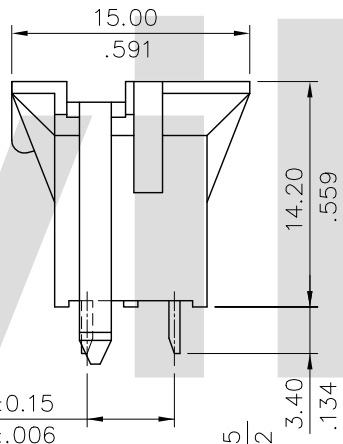
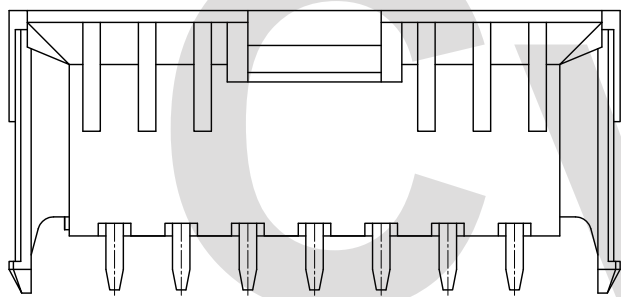
\* Contact: Brass

Circuits	Dimension	
	A	B
4	4.20(.165)	15.1(.594)
6	8.40(.331)	19.3(.760)
8	12.60(.496)	23.5(.925)
10	16.80(.661)	27.7(1.091)
14	25.20(.992)	36.1(1.421)
16	29.40(1.157)	40.3(1.587)
18	33.60(1.323)	44.5(1.752)
24	46.20(1.819)	57.1(2.248)

Ordering Code:

CP-01 3 \*\* I H 0  
① ② ③ ④ ⑤ ⑥

- ① Series No.
- ② Type of Connector:  
3= Straight PCB mount header
- ③ No of Circuits:
- ④ Plating Code:  
1= Tin Plated over Nickel  
A= Selective gold flash plated over 1.27μm(50μ") Nickel  
B= Selective 0.38μm(15μ") gold plated over 1.27μm(50μ") Nickel  
C= Selective 0.76μm(30μ") gold plated over 1.27μm(50μ") Nickel  
I= Selective 0.38um(15μ") gold plated over contact area & gold flash plated over solder tail above 1.27μm(50μ") Nickel  
J= Selective 0.76um(30μ") gold plated over contact area & gold flash plated over solder tail above 1.27μm(50μ") Nickel
- ⑤ Variation:  
H= UL 94V-2, B.M.I type (Glow wire test approval)
- ⑥ Other Option: 0= Standard



Tin-Lead Process  
RoHS Compliant

④					DATE	UNIT: mm / inch	TITLE: 4.2mm(.165") PITCH	瀚荃股份有限公司 CviLux Corporation	
③					DATE	TOLERANCE UNLESS OTHERWISE SPECIFIED	BMI TYPE PLUG CONNECTOR		
②	Enya	4/22-13'	ECN13088-0		DRAWN BY: Enya	.X ± 0.38/.015	.X' ± r'	DRAWING NO. CP0149AC	
①	Karen	2/23-09'	ECN09076		ENGINEER: Eisley	4/26-13'	.XX ± 0.25/.010		.X' ±
SYM	NAME	DATE	REVISIONS		CHECKED BY: Eisley	4/26-13'	.XXX ± 0.10/.004	.XX' ±	SCALE 2 / 1
				APPROVED BY: David	4/26-13'			SHEET 1 OF 1	