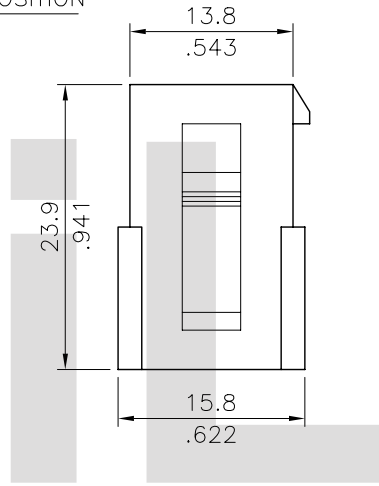
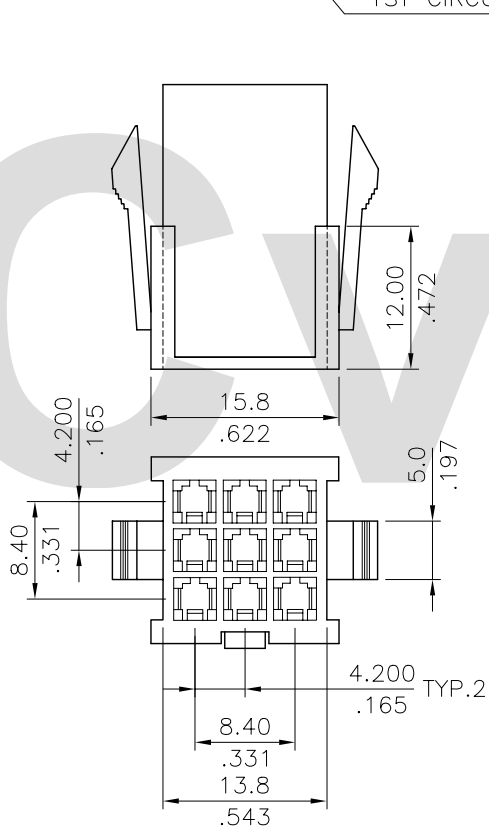
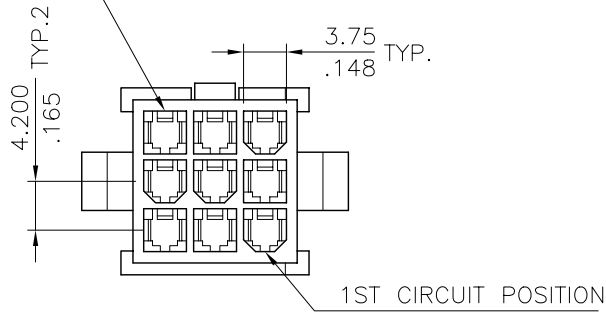


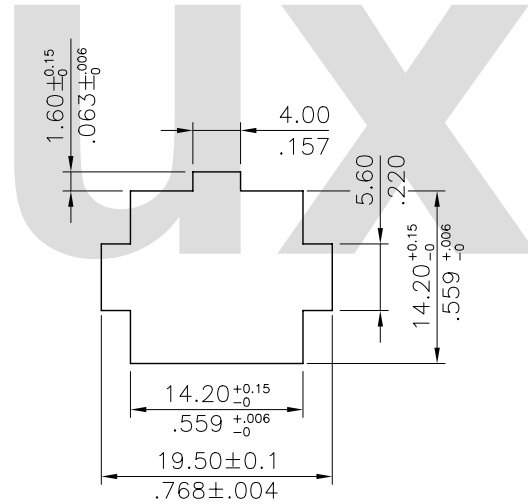
LAST CIRCUIT POSITION



Ordering Code:

CP-01 2 09 0 F 0  
① ② ③ ④ ⑤ ⑥

- ① Series No.
- ② Type of Connector: 2= Plug
- ③ No of Circuits:
- ④ Plating Code: 0= Non plating
- ⑤ Variation: F= UL 94V-2  
(Glow wire available)
- ⑥ Option: 0= Standard



Mounting Hole Details

RoHS Compliant

④					DATE	UNIT: mm / inch	TITLE:	瀚荃股份有限公司 CviLux Corporation			
③				DRAWN BY: Sandy	7/06-07'	TOLERANCE UNLESS OTHERWISE SPECIFIED	PLUG POWER CONNECTOR				
②				ENGINEER: Eisley	7/06-07'	.X ± 0.38/.015 X' ± r'	MATERIAL:	DRAWING NO. CP0144AA	PART NO. CP-012090F0		
①				CHECKED BY: David	7/06-07'	.XX ± 0.25/.010 X' ±	FINISH:	SCALE 2 / 1	SHEET 1 OF 1		
SYM	NAME	DATE	REVISIONS	APPROVED BY: David	7/06-07'	.XXX ± 0.10/.004 XX' ±					