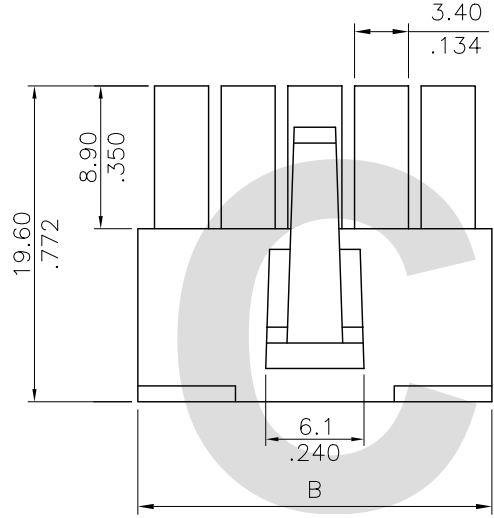
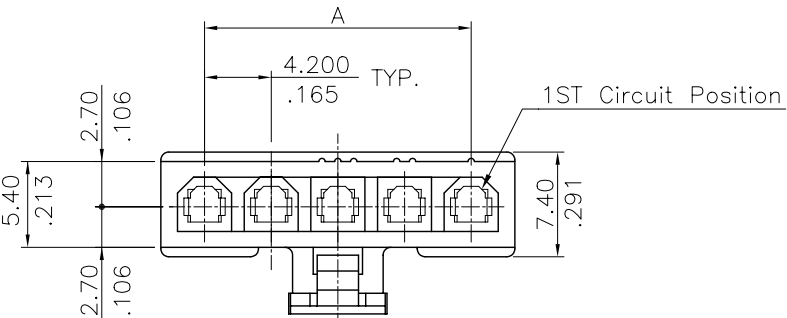


Material:
 * Insulation: Nylon 66, Color Nature

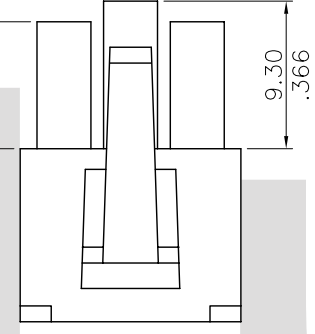
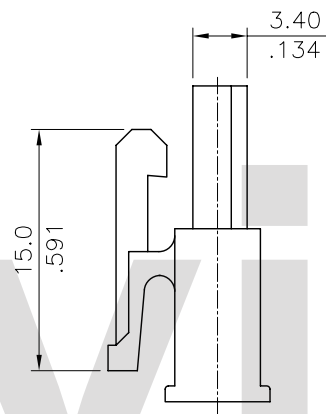
Ordering Code:

CP-01 1 ** 0 E S
 ① ② ③ ④ ⑤ ⑥

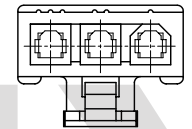
- ① Series No.
- ② Contact Type: 1= Receptacle
- ③ No of Circuits:
- ④ Plating Code: 0= Non plating
- ⑤ Variation: E= UL 94V-2
(Glow wire available)
- ⑥ Option: S= Single Row



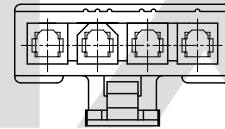
FOR 4 , 5 CIRCUITS



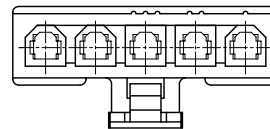
FOR 3 CIRCUITS



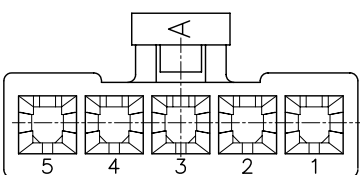
3 CIRCUITS



4 CIRCUITS



5 CIRCUITS



Circuits	Dimension	
	A	B
3	8.40(.331)	13.8(.543)
4	12.60(.496)	18.0(.709)
5	16.80(.661)	22.2(.874)

CIRCUIT PATTERN SCHEDULE

RoHS Compliant

④					DATE	UNIT: mm / inch	TITLE: 4.20mm PICH RECEPTACLE CONN. (SINGLE ROW)	瀚荃股份有限公司 CviLux Corporation
③				DRAWN BY: Sandy	7/06-07'	TOLERANCE UNLESS OTHERWISE SPECIFIED		
②				ENGINEER: Eisley	7/06-07'	.X ± 0.38/.015 X' ± 1"	FINISH:	
①				CHECKED BY: David	7/06-07'	.XX ± 0.25/.010 .X' ±		
SYM	NAME	DATE		APPROVED BY: David	7/06-07'	.XXX ± 0.10/.004 .XX' ±		DRAWING NO. CP0143AA
REVISIONS						SCALE	2 / 1	SHEET 1 OF 1