

Material & Finish :

\* Insulation: Nylon 66 , Color Nature

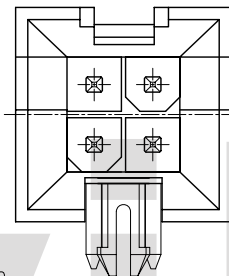
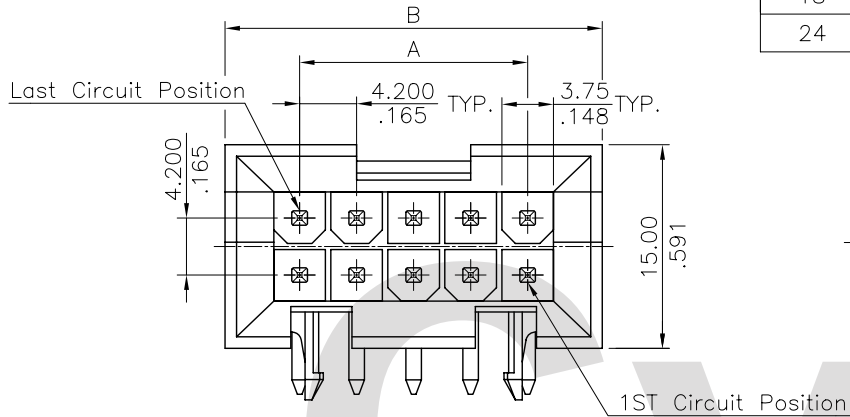
\* Contact: Brass

Circuits	Dimension	
	A	B
4	4.20(.165)	15.2(.598)
6	8.40(.331)	19.4(.764)
10	16.80(.661)	27.8(1.094)
14	25.20(.992)	36.2(1.425)
18	33.60(1.323)	44.6(1.756)
24	46.20(1.819)	57.2(2.252)

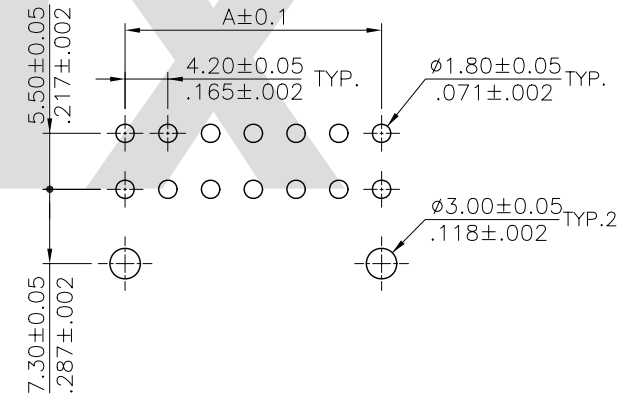
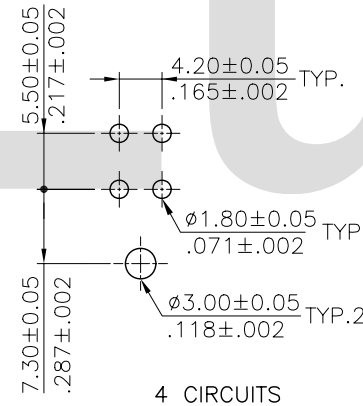
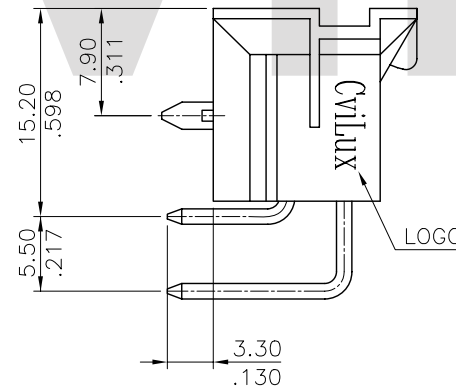
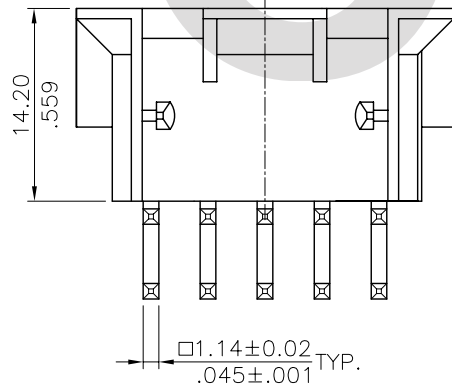
Ordering Code:

CP-01 4 \*\* \* \* 0  
 ① ② ③ ④ ⑤ ⑥


- ① Series No.
- ② Type of Connector:  
4= Right angle PCB mount header
- ③ No of Circuits:
- ④ Plating Code: 1= Tin over Nickel  
2= Gold flash plated over Nickel  
3= 0.38μm(15μ") Gold plated over 1.27μm(50μ") Nickel  
4= 0.76μm(30μ") Gold plated over 1.27μm(50μ") Nickel
- ⑤ Variation: 6= UL 94V-2, BMI type  
7= UL 94V-0, BMI type
- ⑥ Option: 0= Standard



4 CIRCUITS  
 P/N:CP-01404\*\*0



Recommended P.C. Board layout

SYM	NAME	DATE	REVISIONS	APPROVED BY:	DATE	UNIT: mm / inch	TITLE: CP-014 SERIES BMI RIGHT ANGLE TYPE CONN.	 瀚荃股份有限公司 CviLux Corporation			
4								DRAWING NO.	CP0137SF	PART NO.	CP-014***60 CP-014***70
3								SCALE	2 / 1	SHEET	1 OF 1
2											
1											

**CVILUX CORP.**  
 2002.02.21  
 ISSUED

DRAWN BY: Eisley  
 ENGINEER: David  
 CHECKED BY: David  
 APPROVED BY: Alex

DATE: 02/19-02'  
 DATE: 02/19-02'  
 DATE: 02/19-02'  
 DATE: 02/19-02'

UNIT: mm / inch  
 TOLERANCE UNLESS OTHERWISE SPECIFIED  
 .X ± 0.38/.015 X: ± 1"  
 .XX ± 0.25/.010 .X: ±  
 .XXX ± 0.10/.004 .XX: ±

MATERIAL:  
 FINISH: