

Material:

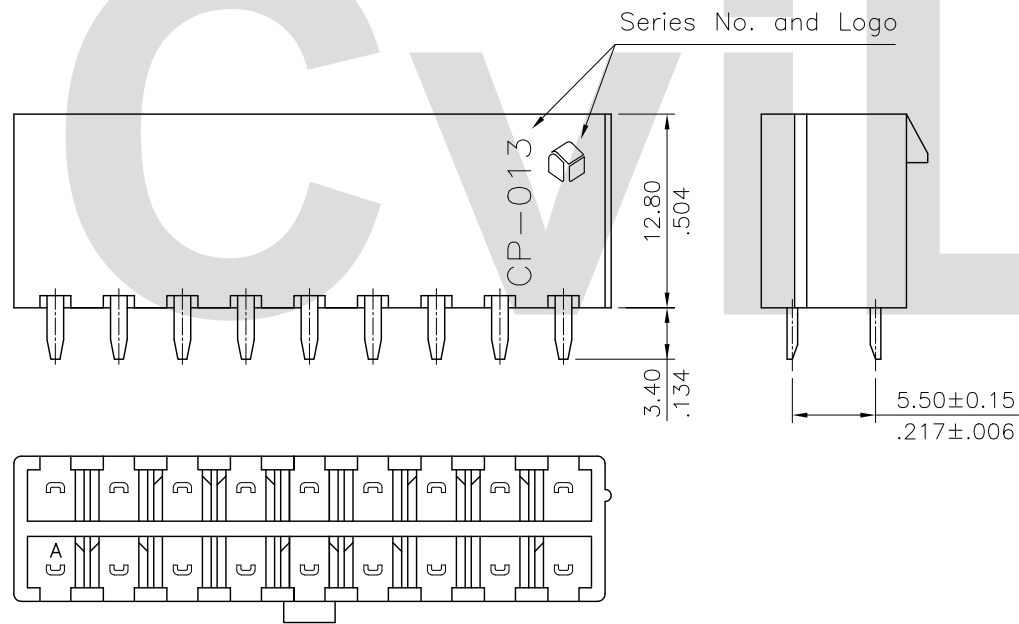
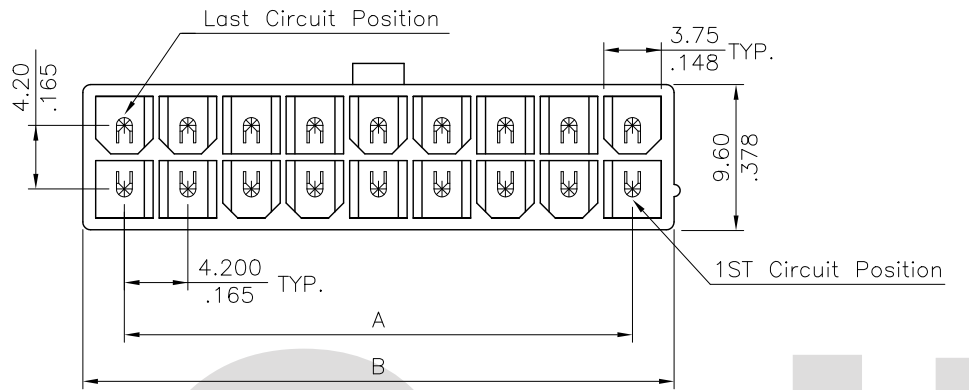
* Insulation: Nylon 66, Color Nature

* Contact: Brass

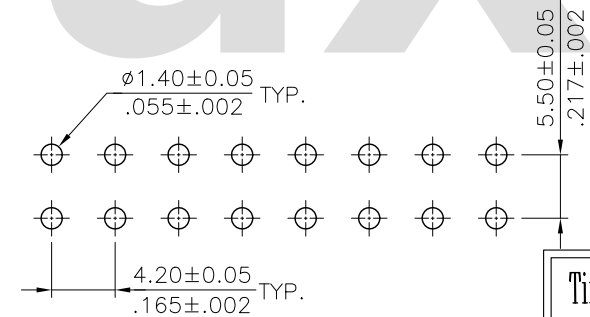
Circuit Pattern Schedule: See Drawing No: CP0110S*

Ordering Code:

CP-01 3 ** * * 0
① ② ③ ④ ⑤ ⑥



- ① Series No.
- ② Type of Connector:
3= Straight PCB mount header
- ③ No of Circuits:
- ④ Plating Code:
 - 1= 2.54μm(100μ") Tin over 1.02μm(40μ") Nickel
 - 2= Gold flash plated over 1.27μm(50μ") Nickel
 - 3= 0.38μm(15μ") Gold plated over 1.27μm(50μ") Nickel
 - 4= 0.76μm(30μ") Gold plated over 1.27μm(50μ") Nickel
 - A= Selective Gold flash plated over 1.27μm(50μ") Nickel
 - B= Selective 0.38μm(15μ") gold plated over 1.27μm(50μ") Nickel
 - C= Selective 0.76μm(30μ") gold plated over 1.27μm(50μ") Nickel
- ⑤ Variation:
 - 1= UL 94V-2, Without mounting pegs
 - 3= UL 94V-0, Without mounting pegs
- ⑥ Option: 0= Standard



Recommended P.C. Board Layout

Tin-Lead Process

RoHS Compliant

④						DATE	UNIT: mm / inch	TITLE: STRAIGHT HEADER CP-01 POWER CONNECTOR	 瀚荃股份有限公司 CviLux Corporation		
③	Una	11/25-10'	ECN10382		DRAWN BY: Una	11/25-10'	TOLERANCE UNLESS OTHERWISE SPECIFIED	MATERIAL:		DRAWING NO. CP0128SM	PART NO. CP-013***10 CP-013***30
②	Sandy	5/12-08'	ECN08219		ENGINEER: Clark	11/30-10'	.X ± 0.38/.015 X.* ± r	FINISH:		SCALE 2 / 1	SHEET 1 OF 1
①	SUN	1/15/04'	ECN04025		CHECKED BY: David	11/30-10'	.XX ± 0.25/.010 .X.* ±				
SYM	NAME	DATE	REVISIONS		APPROVED BY: David	11/30-10'	.XXX ± 0.10/.004 .XX.* ±				