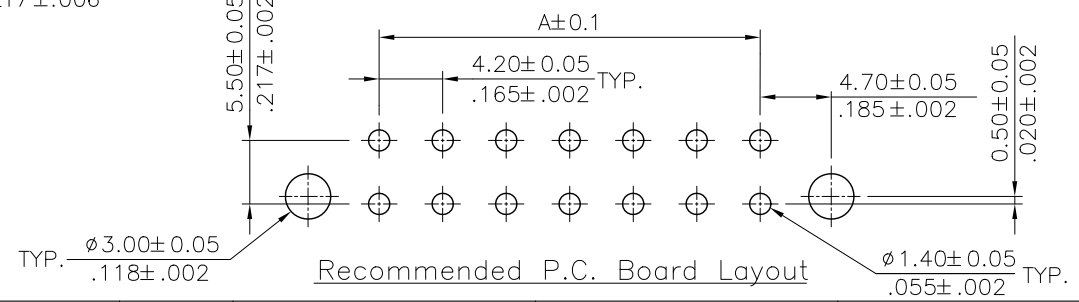
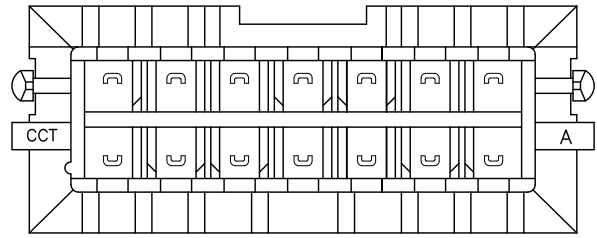
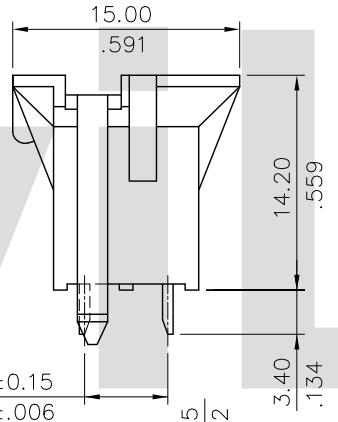
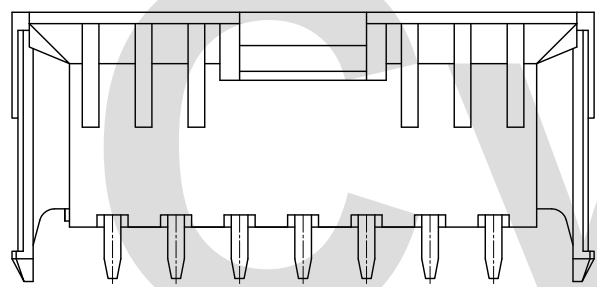


Material:
 * Insulation: Nylon 66, Color Nature
 * Contact: Brass

Circuits	Dimension	
	A	B
4	4.20(.165)	15.1(.594)
6	8.40(.331)	19.3(.760)
8	12.60(.496)	23.5(.925)
10	16.80(.661)	27.7(1.091)
14	25.20(.992)	36.1(1.421)
16	29.40(1.157)	40.3(1.587)
18	33.60(1.323)	44.5(1.752)
24	46.20(1.819)	57.1(2.248)

Ordering Code:
 CP-01 3 ** I * 0
 ① ② ③ ④ ⑤ ⑥

- ① Series No.
- ② Type of Connector:
3 = Straight PCB mount header
- ③ No of Circuits:
- △④ Plating Code:
 1 = Tin Plated over Nickel
 A = Selective gold flash plated over 1.27μm(50μ") Nickel
 B = Selective 0.38μm(15μ") gold plated over 1.27μm(50μ") Nickel
 C = Selective 0.76μm(30μ") gold plated over 1.27μm(50μ") Nickel
 I = Selective 0.38μm(15μ") gold plated over contact area & gold flash plated over solder tail above 1.27μm(50μ") Nickel
 J = Selective 0.76μm(30μ") gold plated over contact area & gold flash plated over solder tail above 1.27μm(50μ") Nickel
- ⑤ Variation:
 6 = UL 94V-2, B.M.I type
 7 = UL 94V-0, B.M.I type
- ⑥ Other Option: 0 = Standard



Tin-Lead Process
 RoHS Compliant

④																			
③																			
②	Enya	4/22-13'	ECN13088-0	CVILUX CORP 2013.05.07 ISSUED	DRAWN BY:	Enya	4/22-13'	TOLERANCE UNLESS OTHERWISE SPECIFIED .X ± 0.38/.015 .X' ± r' .XX ± 0.25/.010 .X' ± .XXX ± 0.10/.004 .XX' ±	TITLE: 4.2mm(.165") PITCH BMI TYPE PLUG CONNECTOR		瀚荃股份有限公司 CviLux Corporation		DRAWING NO.	CP0124SG	PART NO.	CP-013***60 CP-013***70			
①	SUN	9/03/03'	ECN03280		ENGINEER:	Eisley	4/26-13'		MATERIAL:				SCALE	2 / 1	SHEET	1 OF 1			
SYM	NAME	DATE	REVISIONS		CHECKED BY:	Eisley	4/26-13'		FINISH:										
				APPROVED BY:	David	4/26-13'													