

Note:

*Material:

Base: High temperature plastic
UL 94V-0, Color Black
(Halogen-Free)

Contact: Phosphor Bronze

PAD: High temperature plastic
UL 94V-0, Color Black

* For Leadfree IR Processes

A = 2.00 * No. of Spaces

B = A + 2.5

C = A - 2.0

* Available in 4 through 80 circuits

Ordering Code:

CB76 ** 2 M 1 0 A - NH
① ② ③ ④ ⑤ ⑥ ⑦ ⑧

① Series No.

② No. of Circuits: 04 to 80

③ Plating code:

2 = 0.03um(1.2u") Min. Gold Flash
Plating on Contact area and
Solder tails, 1.27um(50u") Nickel
Underplating over all

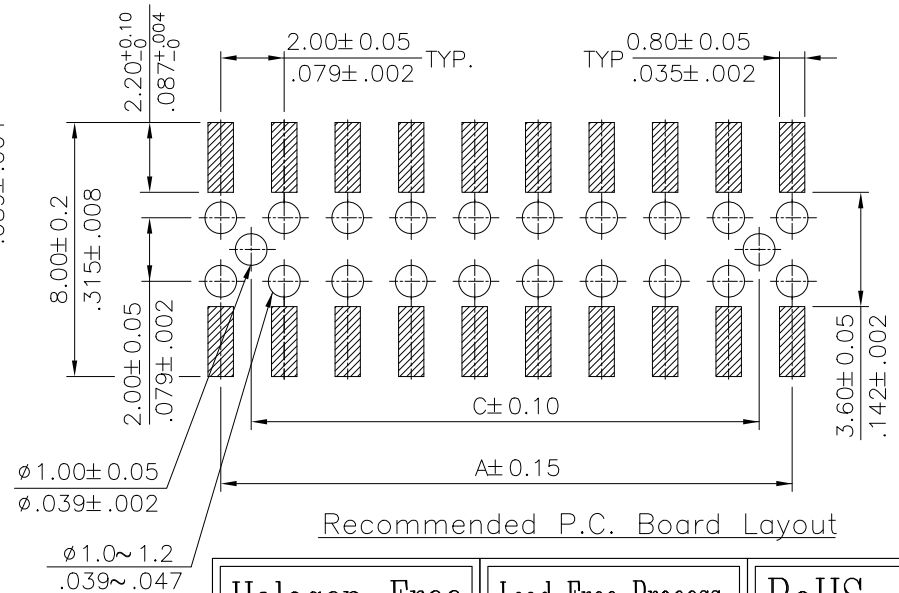
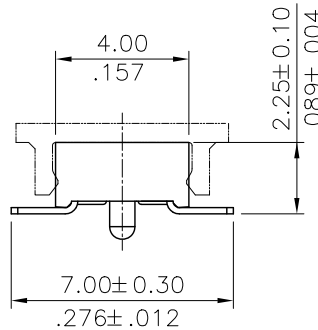
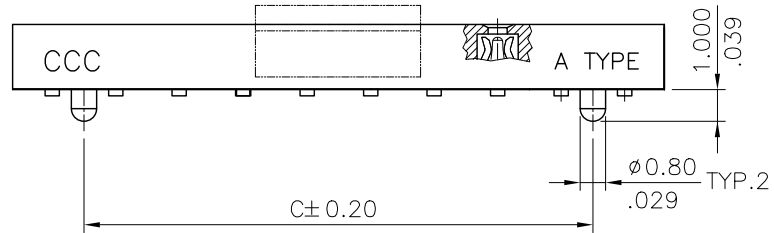
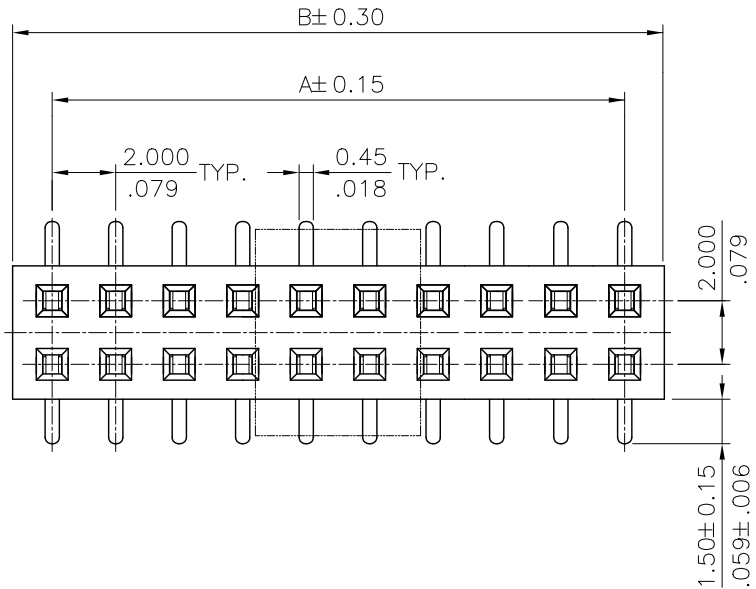
④ Tail Style: M= SMT Type

⑤ Color: 1= Black

⑥ Option: 0= With Peg


⑦ Other Options: A= Tape & Reel (With PAD)

⑧ -NH= For Leadfree IR Processes
and Halogen-Free

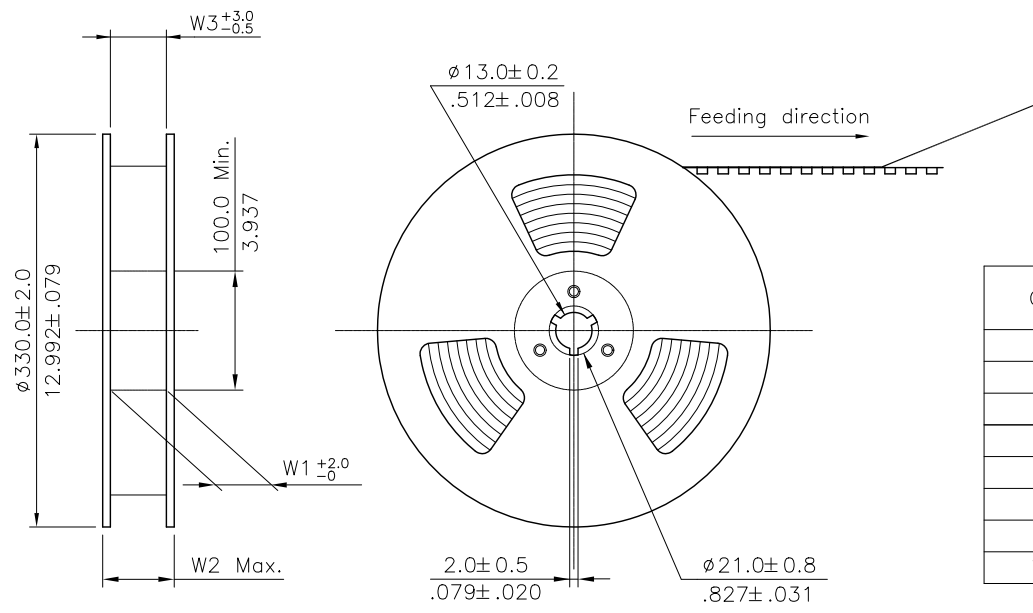


Recommended P.C. Board Layout

Halogen-Free Lead Free Process RoHS compliant

④					DATE	UNIT: mm / inch	TITLE: 2.00mm(.079") DUAL ROW BOARD MOUNT CONNECTOR	 瀚荃股份有限公司 CviLux Corporation
③					DRAWN BY: Clark	TOLERANCE UNLESS OTHERWISE SPECIFIED	MATERIAL:	
②					ENGINEER: Eisley	.X ± 0.30 / .012 X' ± 1'	FINISH:	
①	Clark	08/06-13	ECNT113027 / ECRT113002		CHECKED BY: Eisley	.XX ± 0.20 / .008 X' ±		
SYM	NAME	DATE	REVISIONS		APPROVED BY: David	.XXX ± 0.10 / .004 XX' ±		DRAWING NO. CB7604SA PART NO. CB76**2M10A-NH
								SCALE 4 / 1 SHEET 1 OF 2

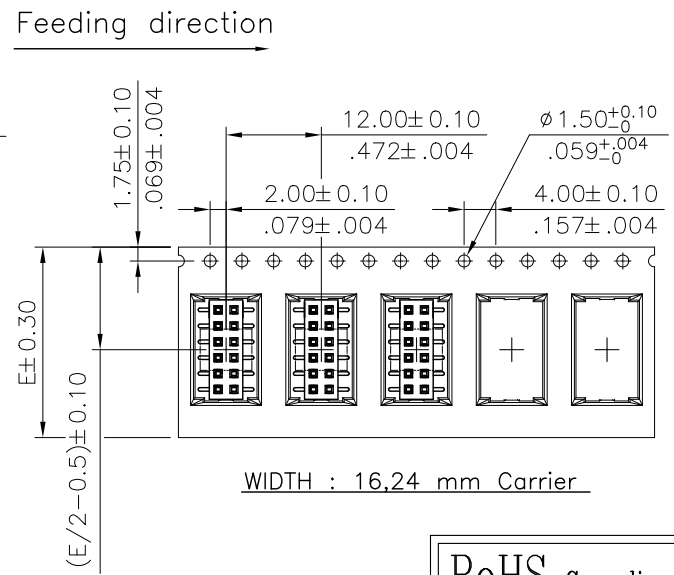
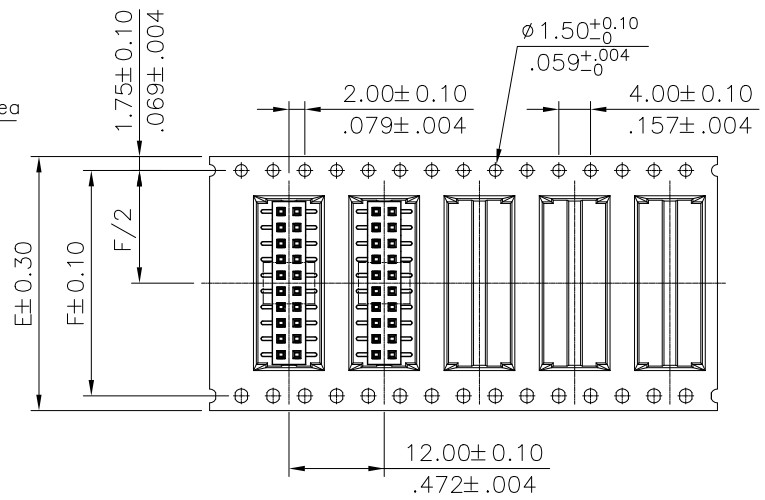
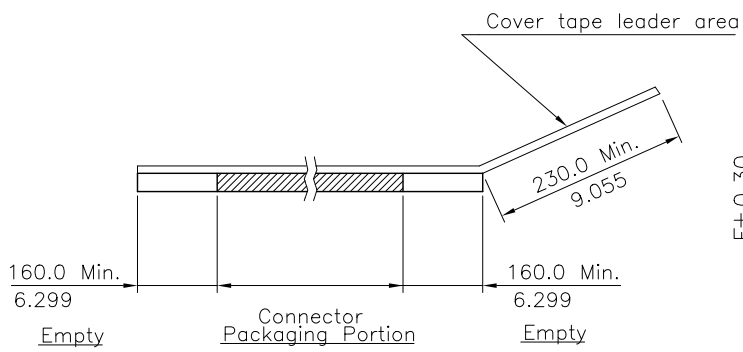
CIVILUX CORP
 2013.09.12
 ISSUED



NOTE :

- * Reel Material : Corrugated Paper
- * Carrier Material : Clear, Conductive Polystyrene Alloy
- * Cover Tape Material : Polyester
- * Cover Tape Peel Strength : 0.1N – 1.3N
- * Carrier camber is within 1mm in 100mm
- * All dimensions meet EIA-481-2 & EIA-481-3 requirements.
- * Quantity : 1200 PCS/Reel


Circuits	Dimension					Packing (Reel/Caton)
	E	F	W1	W2	W3	
4-6	16.0(.630)	--	16.5(.650)	22.5(.885)	16.5(.650)	11
8-14	24.0(.945)	--	24.5(.965)	30.5(1.200)	24.5(.965)	9
16-18	32.0(1.260)	28.4(1.118)	32.5(1.280)	38.5(1.516)	32.5(1.280)	7
20-30	44.0(1.732)	40.4(1.596)	44.5(1.752)	50.5(1.988)	44.5(1.752)	5
32-42	56.0(2.205)	52.4(2.063)	56.5(2.224)	62.5(2.461)	56.5(2.224)	4
44-58	72.0(2.835)	68.4(2.693)	72.5(2.855)	78.5(3.091)	72.5(2.855)	3
60-74	88.0(3.465)	84.4(3.323)	88.5(3.485)	94.5(3.720)	88.5(3.485)	3
76-80	104.0(4.094)	100.4(3.953)	104.5(4.114)	110.5(4.350)	104.5(4.114)	2



WIDTH : 32,44,56,72,88,104 mm Carrier

WIDTH : 16.24 mm Carrier

RoHS Compliant

4					DATE	UNIT: mm / inch	TITLE:	 瀚荃股份有限公司 CviLux Corporation
3					DRAWN BY: Clark	TOLERANCE UNLESS OTHERWISE SPECIFIED	MATERIAL:	
2					ENGINEER: Easley	.X ± X' ± 1'		
1	Clark	08/06-13	ECNT113027 / ECRT113002		CHECKED BY: Easley	.XX ± .X' ±	FINISH:	
SYM	NAME	DATE	REVISIONS		APPROVED BY: David	.XXX ± .XX' ±		



DRAWING NO.	CB7604SA	PART NO.	CB76**2M10A-NH
SCALE		SHEET	2 OF 2