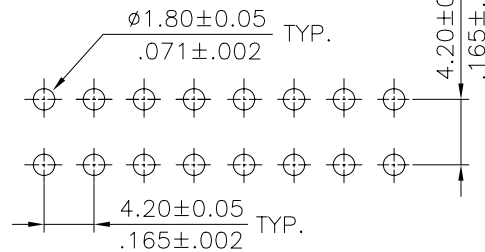
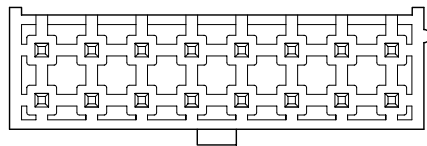
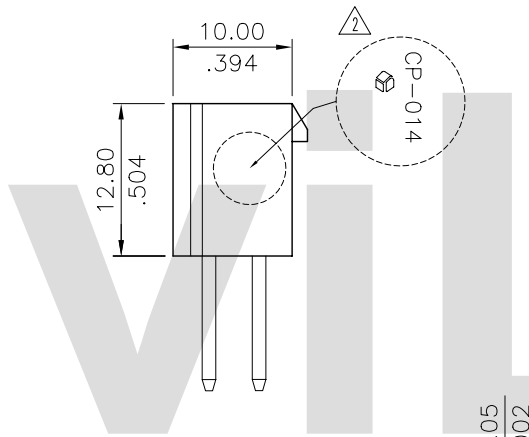
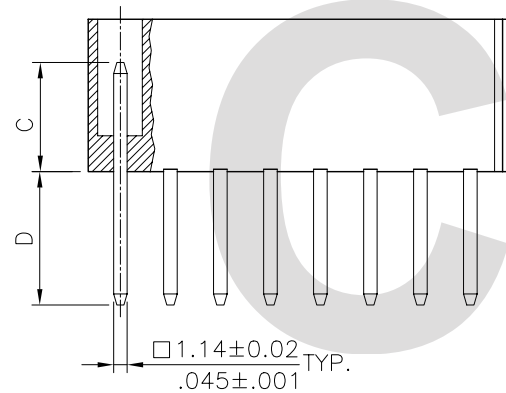


Material:
 * Insulation: Nylon 66, Color Nature
 * Contact: Brass
 ⚠ Circuit Pattern Schedule:
 See Drawing No: CP0111S*



Recommended P.C. Board Layout


Part No.	Dimension	
	C	D
CP-013**180/CP-013**190	9.20(.362)	3.50(.138)
CP-013**18A/CP-013**19A	9.20(.362)	17.00(.669)
CP-013**18B/CP-013**19B	9.20(.362)	28.00(1.102)
CP-013**18C/CP-013**19C	9.20(.362)	23.80(.937)
CP-013**18E/CP-013**19E	9.20(.362)	5.00(.197)
CP-013**18F/CP-013**19F	9.20(.362)	13.00(.512)
CP-013**18G/CP-013**19G	10.20(.402)	3.50(.138)

Ordering Code:

CP-01 3 ** 1 * *
 ① ② ③ ④ ⑤ ⑥

- ① Series No.
- ② Type of Connector:
3= Straight PCB mount header
- ③ No of Circuits:
- ④ Plating Code:
1= 3.05μm(120μ") Tin over 0.76μm(30μ") Nickel
2= Gold flash plated over Nickel
3= 0.38μm(15μ") Gold plated over 1.27μm(50μ") Nickel
4= 0.76μm(30μ") Gold plated over 1.27μm(50μ") Nickel
- ⑤ Variation:
8= Nylon 66 UL 94V-2 , Color Nature with SQ pin
9= Nylon 66 UL 94V-0 , Color Nature with SQ pin
- ⑥ Pin Length Code: Pin Length= Dim.C ; Dim.D

RoHS Compliant

SYM	NAME	DATE	REVISIONS	APPROVED BY:	DATE	UNIT: mm / inch	TITLE: STRAIGHT HEADER CP-01 POWER CONNECTOR	 瀚荃股份有限公司 CviLux Corporation
4	Sandy	9/14/05'	ECN05300					
3	Casey	5/19/04'	ECN04201	DRAWN BY: Sandy	05/22-06'	TOLERANCE UNLESS OTHERWISE SPECIFIED		
6	Sandy	5/18/06'	ECN06156	ENGINEER: Easley	05/22-06'	.X ± 0.38/.015 .X' ± r'	MATERIAL:	SCALE 2 / 1 SHEET 1 OF 1
5	Sandy	5/12/06'	ECN06136	CHECKED BY: Alex	05/22-06'	.XX ± 0.25/.010 .X' ±	FINISH:	
				APPROVED BY: Alex	05/22-06'	.XXX ± 0.10/.004 .XX' ±		

CVILUX CORP.
 2006.05.22
 ISSUED