

Material & Finish :

* Insulation: Nylon 66, Color Nature

* Contact: Brass

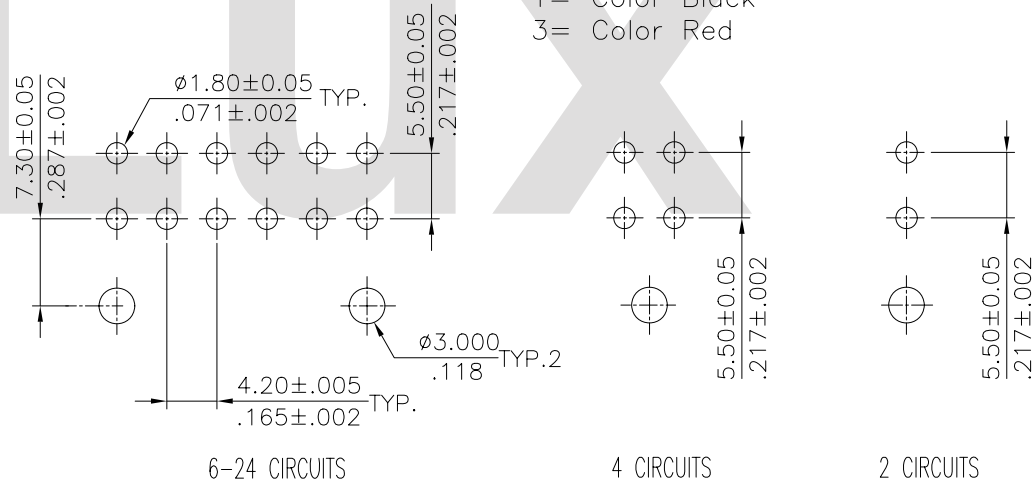
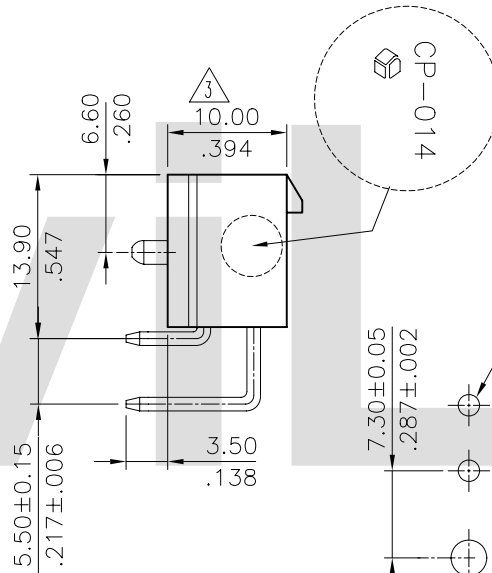
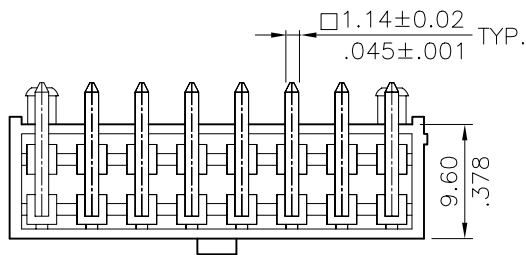
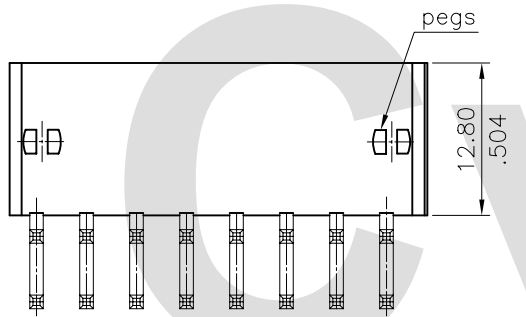
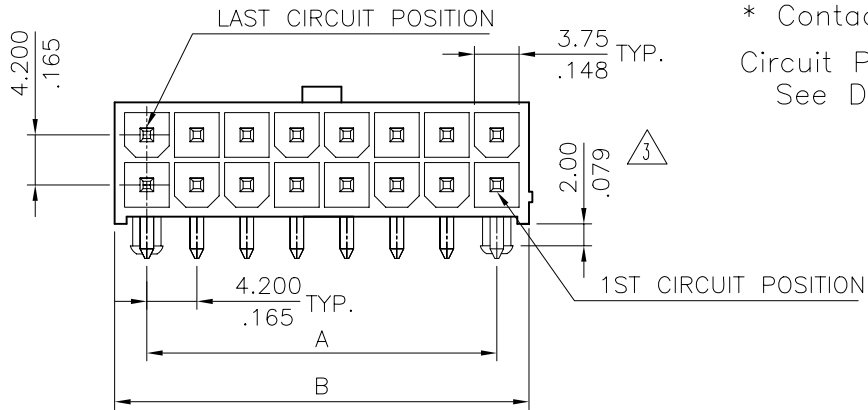
Circuit Pattern Schedule:

See Drawing No: CP0111S*

Ordering Code:


CP-01 4 ** * * *
 ① ② ③ ④ ⑤ ⑥

- ① Series No.
- ② Type of Connector:
4= Right angle PCB mount header
- ③ No of Circuits:
- ④ Plating Code:
1= Tin over Nickel
2= Gold flash plated over Nickel
3= 0.38 μ m(15 μ) Gold plated over 1.27 μ m(50 μ) Nickel
4= 0.76 μ m(30 μ) Gold plated over 1.27 μ m(50 μ) Nickel
- ⑤ Variation:
4= UL 94V-2, With mounting pegs
5= UL 94V-0, With mounting pegs
- ⑥ Option: 0= Standard
1= Color Black
3= Color Red



Recommended P.C. Board layout

RoHS Compliant

④					DATE	UNIT: mm / inch	TITLE: RIGHT ANGLE HEADER	 瀚荃股份有限公司 CviLux Corporation	
③	Eager	8/26-06	ECN06285	DRAWN BY: Eager	8/26-06'	TOLERANCE UNLESS OTHERWISE SPECIFIED	CP-01 POWER CONNECTOR		
②	Sun	4/30/04	ECN04150	ENGINEER: Eisley	8/31-06'	.X ± 0.38/.015 X' ± r'	MATERIAL:		
①	Jessie	9/26/03	ECN03323	CHECKED BY: David	8/31-06'	.XX ± 0.25/.010 X' ±	FINISH:		
SYM	NAME	DATE	REVISIONS	APPROVED BY: Alex	8/31-06'	.XXX ± 0.10/.004 XX' ±	DRAWING NO. CP0108SI		PART NO. CP-014***4* CP-014***5*
								SCALE 2 / 1	SHEET 1 OF 1

CVILUX CORP.
 2006.09.05
 ISSUED