

Materials:

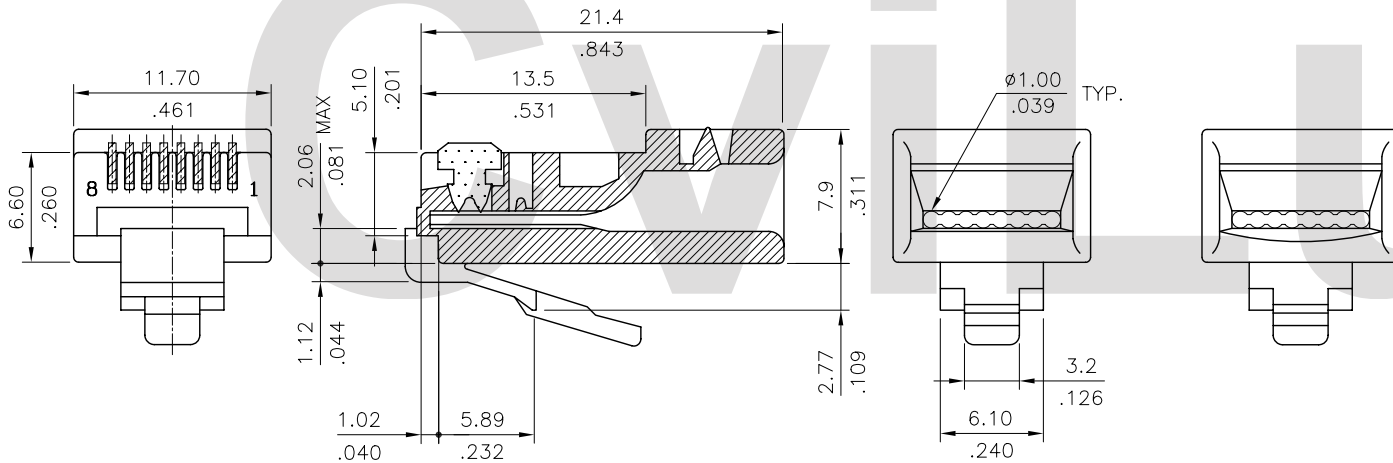
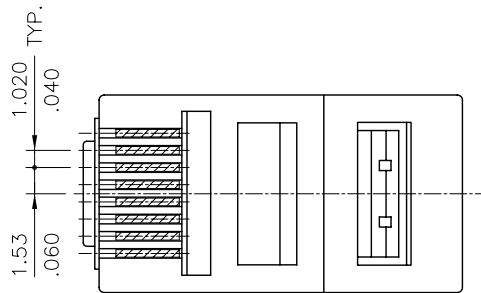
* Insulator: Polycarbonate UL 94V-2

* Contact: Phosphor Bronze

Ordering Code:

CJP2 88 3 1 0 R 0
 ① ② ③ ④ ⑤ ⑥ ⑦

- ① Series No.
- ② Contacts: 88= 8P8C
- ③ Plating option:
 2= Gold flash plated over 1.27μm(50μ")Nickel
 3= 0.38μm(15μ") Gold plated over 1.27μm(50μ") Nickel
 4= 0.76μm(30μ") Gold plated over 1.27μm(50μ") Nickel
 5= 1.27μm(50μ") Gold plated over 1.27μm(50μ") Nickel
- ④ Latch style: 1= Standard
- ⑤ Insulator Color: 0= Nature(Clear)
- ⑥ Cable type: F= Flat-oval Cable
 R= Round Cable
- ⑦ Other option: 0= Without Shield



Flat-oval Cable
 (P/N: CJP288*10F0)

Round Cable
 (P/N: CJP288*10R0)

④						DATE	UNIT: mm / inch	TITLE: STANDARD 8 POSITION MODULAR PLUG	
③			DRAWN BY: Alphonse		11/7-02'	TOLERANCE UNLESS OTHERWISE SPECIFIED	.X ± 0.25/.010 X.* ± 1'	MATERIAL:	
②			ENGINEER: Eisley		11/8-02'				
①			CHECKED BY: David		11/11-02'	.XXX ± 0.08/.003 .XX.* ±	FINISH:	DRAWING NO. CJP202SB PART NO. CJP288*10*0	
SYM	NAME	DATE	REVISIONS		APPROVED BY: Alex	11/11-02'	SCALE 3 / 1 SHEET 1 OF 1		