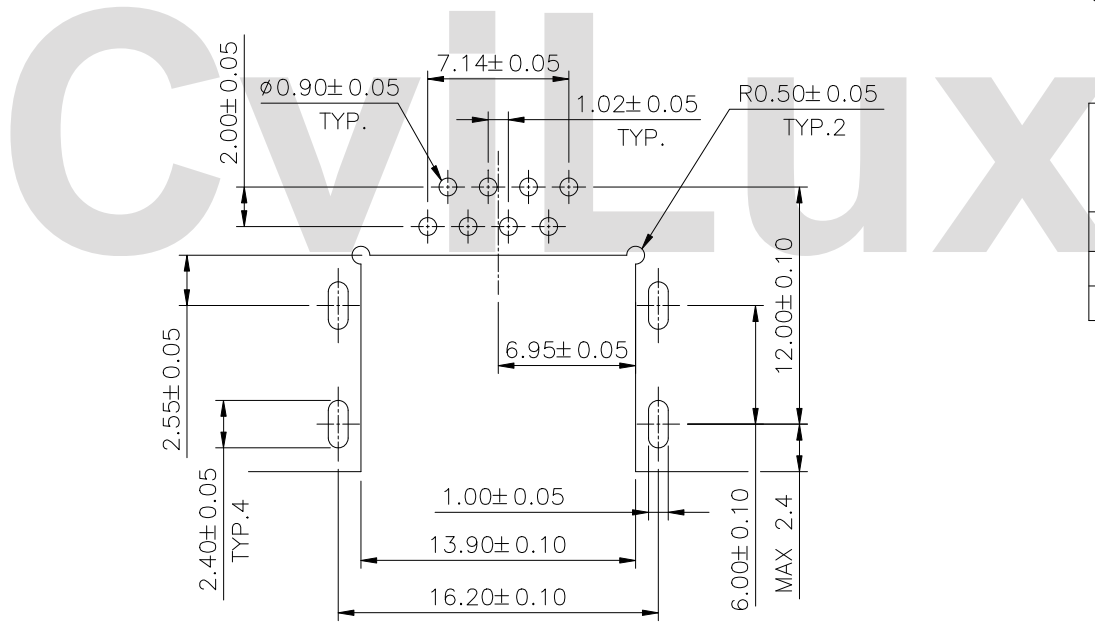
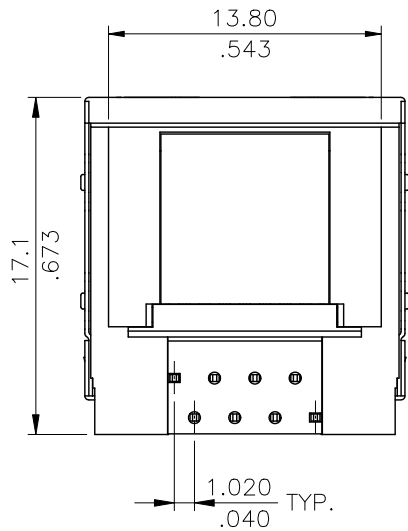
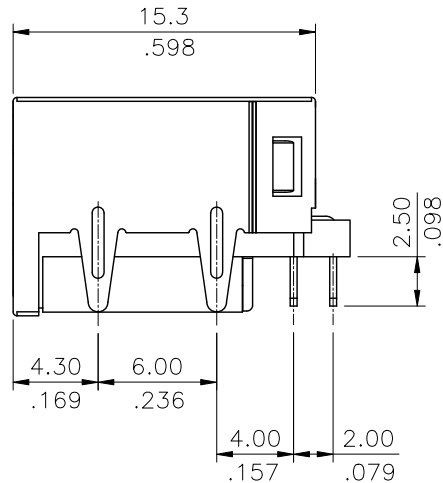
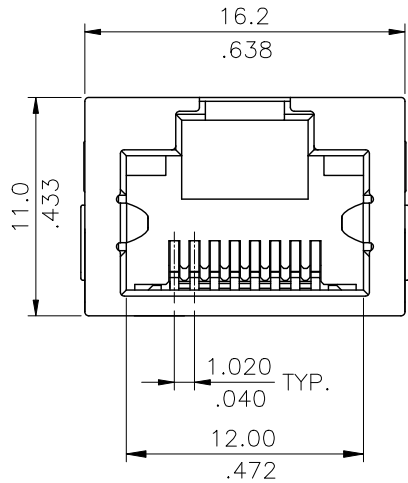


Materials :
 Insulator : LCP;COLOR BLACK;UL 94V-0
 Contact : 0.35t;Phosphor Bronze
 Shield : 0.20t Brass with Nickel plated



Recommended P.C. Board Layout


Ordering Code:

CJB1 8 8 * 1 1 0 0

- ① Series No.
- ② Contacts:
- ③ Solder tails: 8= 08
- ④ Plating option:
See above table
- ⑤ Ports: 1= 1 port
- ⑥ Insulator Color: 1= Black
- ⑦ Other options:
00= Standard

Code	RJ45 Plating		
	Contact Area	Solder tail	Under plating
I	15μ" gold	Gold flash	50μ" Nickel
J	30μ" gold		
S	50μ" gold		

RoHS Compliant

4					DATE	UNIT: mm / inch	TITLE: MODULAR JACK,RJ45, WITHOUT LED,DIP TYPE.	 瀚荃股份有限公司 CviLux Corporation
3				DRAWN BY: Xin	12/7-09'	TOLERANCE UNLESS OTHERWISE SPECIFIED	MATERIAL:	
2				ENGINEER: leno	12/7-09'	.X ± 0.30/.012 X' ± 1'		
1				CHECKED BY: Jacky	12/7-09'	.XX ± 0.20/.008 X' ±	FINISH:	
SYM	NAME	DATE	REVISIONS	APPROVED BY: Jacky	12/7-09'	.XXX ± 0.10/.004 X' ±		DRAWING NO. CJB101SA
								PART NO. CJB188*1100
								SCALE 2 / 1
								SHEET 1 OF 1

CIVILUX CORP.
 2009.12.11
 ISSUED