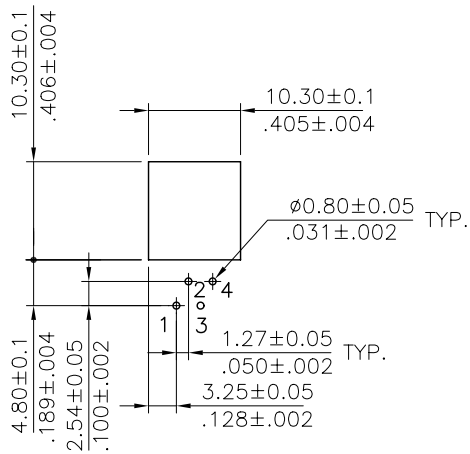
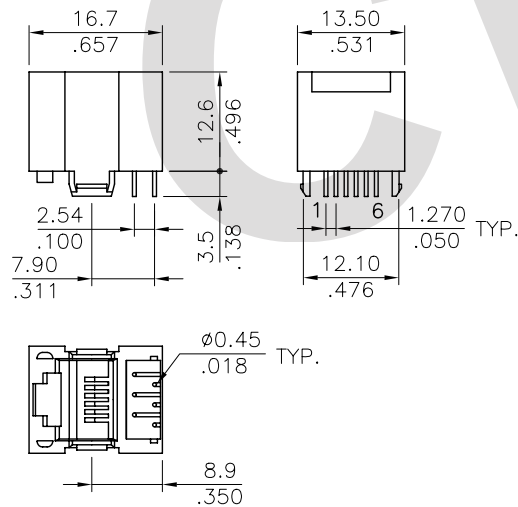


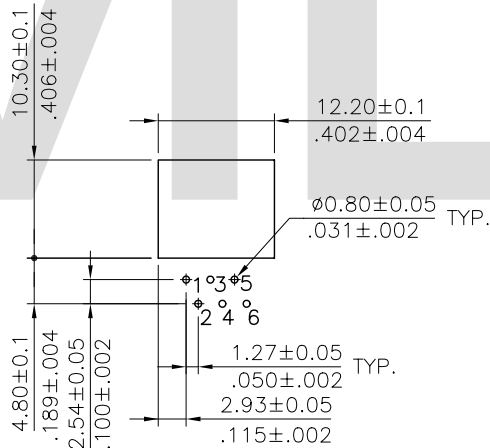
4 POSITION



Recommended PC Board Layout



6 POSITION



Recommended PC Board Layout

Materials :

Insulator : Glass filled Polyester UL 94V-0

Contact : Phosphor Bronze

Ordering Code:

CJ91 66 3 1 1 00  
 ① ② ③ ④ ⑤ ⑥

① Series No.

② Contacts:

44= 4P4C ; 42= 4P2C

66= 6P6C ; 64= 6P4C ; 62= 6P2C

③ Plating option:

2= Gold flash plated over Nickel

3= 0.38μm(15μ") Gold plated over

1.27μm(50μ") Nickel

④ Ports: 1= 1 port

⑤ Insulator Color: 1= Black

⑥ Other options:

00= Standard

RoHS Compliant

4  
3  
2  
1

**CVILUX CORP.**  
**2002.11.11**  
**ISSUED**

DRAWN BY: Alphonse  
 ENGINEER: Eisley  
 CHECKED BY: David  
 APPROVED BY: Alex

DATE: 11/7-02'  
 11/8-02'  
 11/11-02'  
 11/11-02'

UNIT: mm / inch  
 TOLERANCE UNLESS OTHERWISE SPECIFIED  
 .X ± 0.30 / .012 X' ± t'  
 .XX ± 0.20 / .008 .X' ±  
 .XXX ± 0.08 / .003 .XX' ±

TITLE: BOARD MOUNT LOW PROFILE BOTTOM ENTRY TELEPHONE JACK

MATERIAL:

FINISH:

SCALE: 1 / 1

SHEET: 1 OF 1

DRAWING NO. CJ9101SB PART NO. CJ91\*\*\*1\*00



瀚荃股份有限公司  
 CviLux Corporation