

Materials :  
 Insulator : Glass filled polyester UL 94V-0  
 Contact : Phosphor Bronze

Ordering Code:

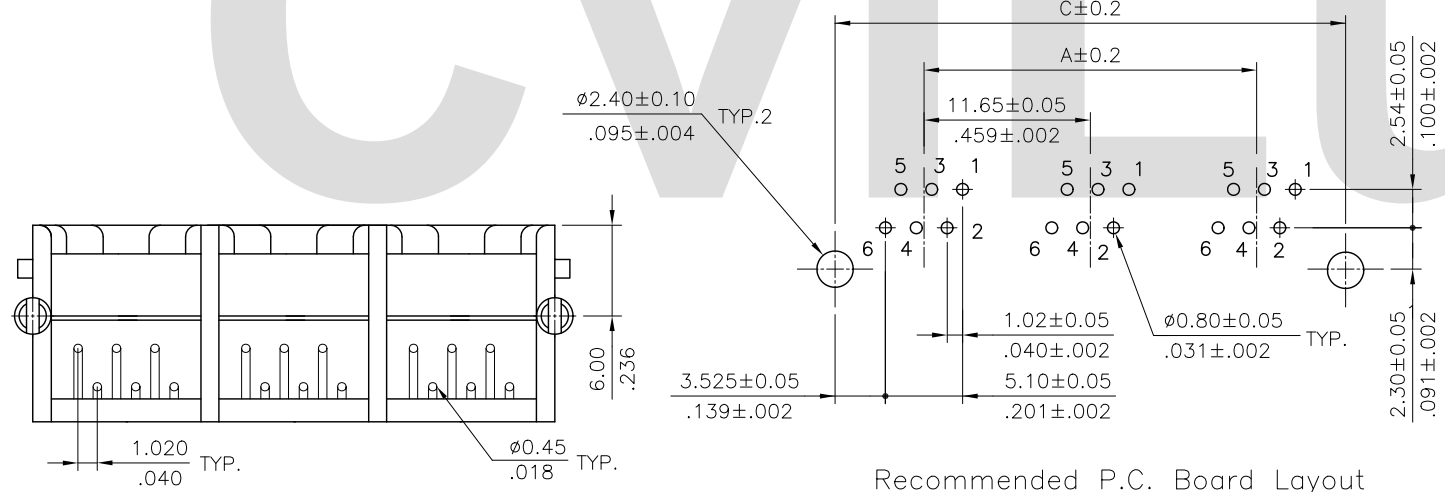
CJ50 66 3 \* 9 00  
 ① ② ③ ④ ⑤ ⑥

① Series No.  
 ② Contacts: 66= 6P6C ; 64= 6P4C  
 62= 6P2C

③ Plating option:  
 2= Gold flash plated over Nickel  
 3= 0.38μm(15μ") Gold plated over 1.27μm(50μ") Nickel  
 4= 0.76μm(30μ") Gold plated over 1.27μm(50μ") Nickel  
 5= 1.27μm(50μ") Gold plated over 1.27μm(50μ") Nickel


④ Ports: 2 to up ports  
 ⑤ Insulator Color: 9= Gray  
 ⑥ Grounding pegs options:  
 00= Standard

A = 11.65 X (P-1)  
 B = 11.65 X P + 2.20  
 C = 11.65 X P + 0.3  
 D = 11.65 X P + 0.6  
 P = NUMBER OF PORTS  
 (FROM 2 PORTS THRU UP)



Recommended P.C. Board Layout

Lead Free Process      RoHS Compliant

④					DATE	UNIT: mm / inch	TITLE: 6 POSITION SIDE ENTRY MINI LOW PROFILE PCB JACK	 瀚荃股份有限公司 CviLux Corporation	
③					DATE	TOLERANCE UNLESS OTHERWISE SPECIFIED	MATERIAL:		
②	Karen	9/27-10'	ECN10320/ECR10124-0	2010.11.09 ISSUED	DRAWN BY: Karen	9/27-10'	FINISH:	DRAWING NO. CJ5001SD	PART NO. CJ506****00
①	Sandy	9/10/04"	ECN04345		ENGINEER: Easley	9/30-10'		SCALE 2 / 1	SHEET 1 OF 1
SYM	NAME	DATE	REVISIONS		APPROVED BY: David	9/30-10'			